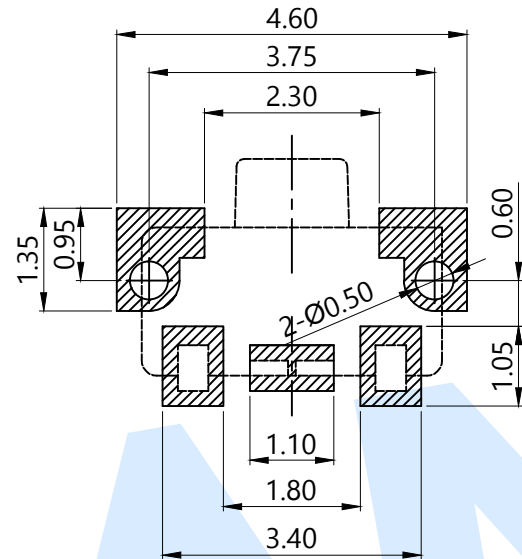
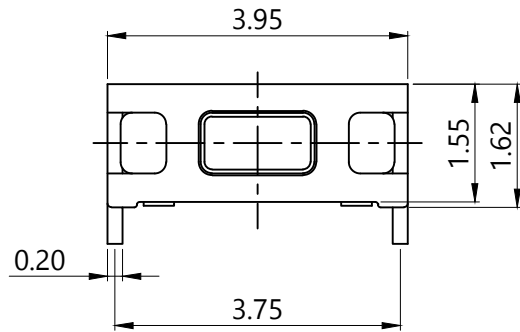
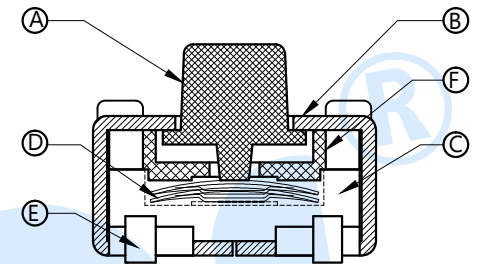
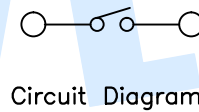
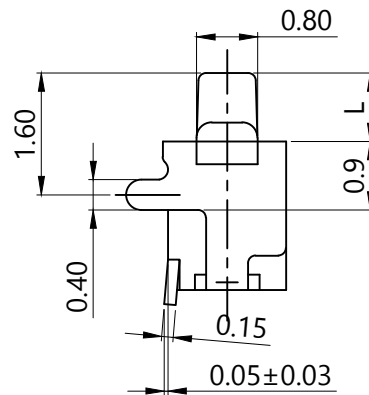
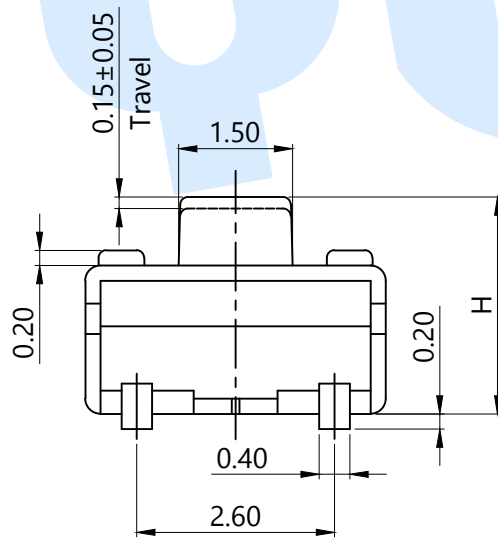


RoHS



PCB Layout(Pattern side)



OPERATING FORCE	
CODE	VIGOR
B2	160±30gf

SHRAPNEL	
CODE	MATERIAL/QTY
D2	SUS/1PCS
D4	SUS/2PCS

TOTAL HEIGHT		
CODE	H	L
A1	2.9	0.9
A2	2.95	1.0

ⓕ	Cover B		1	LCP	White
ⓔ	Terminal		2	Phosphor Bronze	Plating silver
ⓓ	Contact		2	SUS	Plating silver
ⓒ	Base		1	LCP	White
ⓑ	Cover A		1	Brass	Plating silver
Ⓐ	Knob		1	LCP	Black
NO.	Name	Number	Qty	Materil	Remarks

**YUANDI®** Yuandi Electronics Co, Ltd

design	date	name	TACT SWITCHS
Review	date	model	TS-1042-A□B□-D□
Approved	date		

Drawing number: Proportion 1:1 unit mm gage number A4

modify Review Approved Tolerance not specified

angle ±2' 10~30 ±0.30 5~10 ±0.20 ~ 5 ±0.10