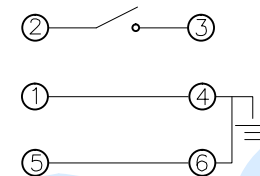
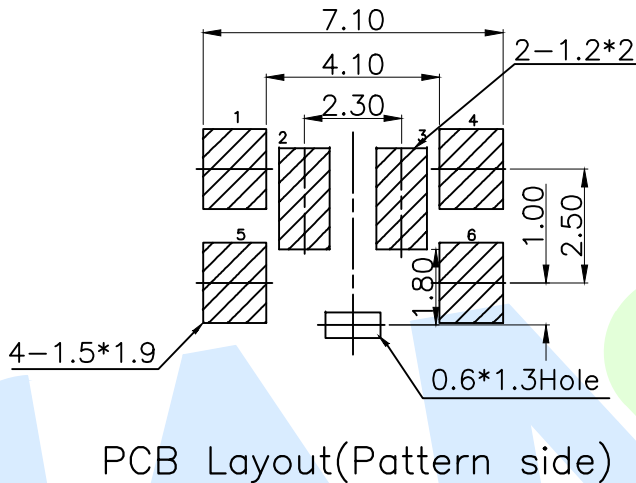
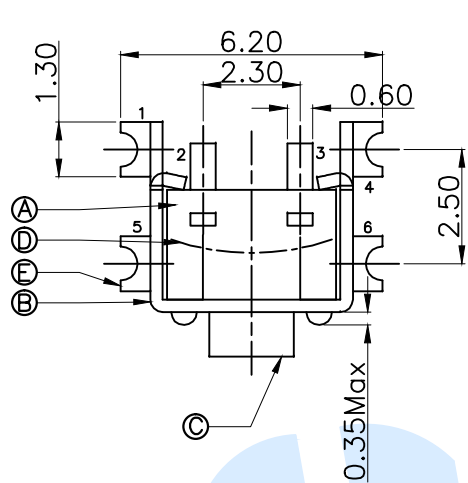
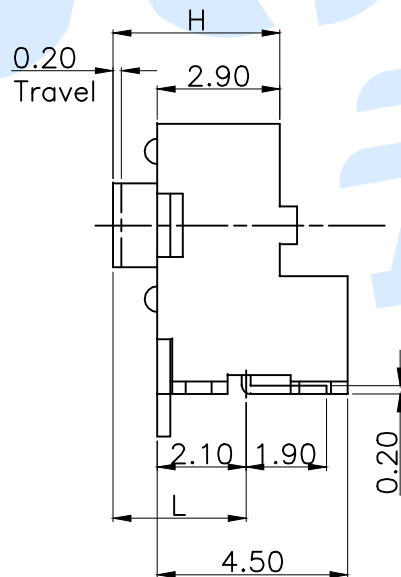
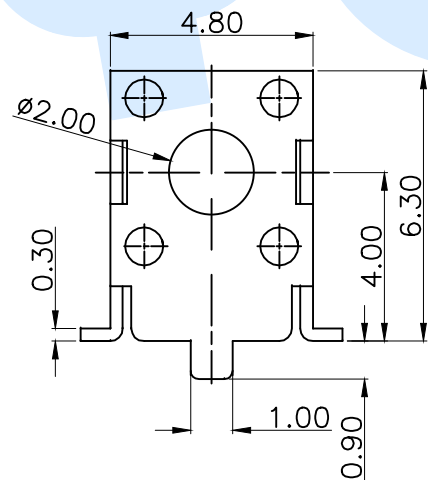


RoHS



Circuit Diagram

PCB Layout (Pattern side)



SHRAPNEL	
CODE	MATERIAL/QTY
D2	SUS/1PCS

OPERATING FORCE	
CODE	VIGOR
B2	180±30gf
B3	250±30gf

TOTAL HEIGHT		
CODE	H	L
A1	3.8	3.15
A2	4.3	3.65

Ⓔ	Terminal		2	Phosphours copper	Silvering
Ⓓ	Reed		1	SUS	Silver Covered
Ⓒ	Button		1	PPA	Black
Ⓑ	Cover		1	Brass	Plating Cu Sn
Ⓐ	Base		1	PPA	Black
NO.	Name	Number	Qty	Materil	Remarks

YUANDI® Yuandi Electronics Co, Ltd

design	date	name	TACT SWITCHS
Review	date	model	TS-1043-A□B□-D□
Approved	date		

Drawing number: Proportion 1:1 unit mm gage number A4

modify Review Approved Tolerance not specified

angle	±2'
10~30	±0.30
5~10	±0.20
~ 5	±0.10