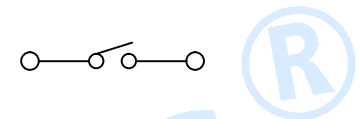
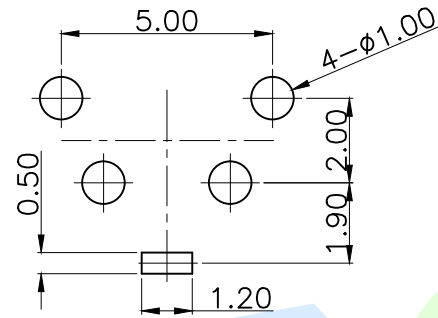
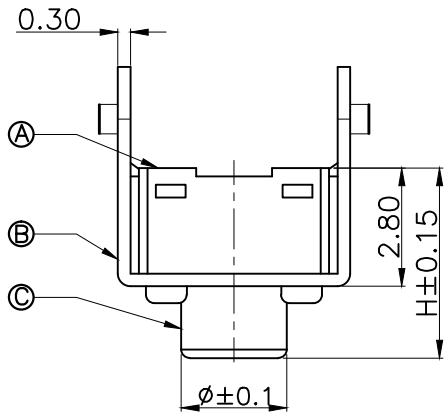
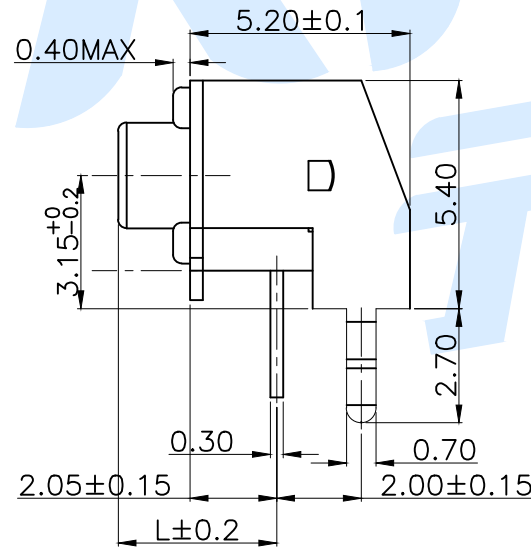
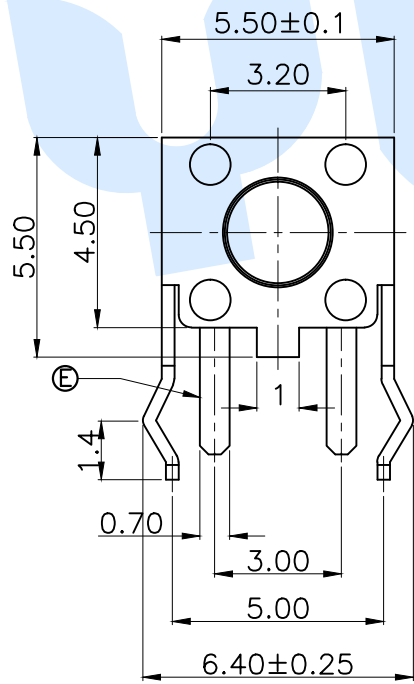


RoHS



Circuit Diagram

PCB Layout(Pattern side)



OPERATING FORCE	
CODE	VIGOR
B1	120±30gf
B2	180±30gf
B3	250±30gf

SHRAPNEL	
CODE	MATERIAL/QTY
D2	SUS/1PCS

TOTAL HEIGHT			
CODE	H	Ø	L
A1	3.8	2.4	3.05
A2	4.3	2.4	3.55
A3	4.5	2.4	3.75
A4	5.0	2.35	4.25
A5	5.5	2.35	4.75
A6	6.0	2.25	5.25
A7	6.5	2.25	5.75
A8	7.0	2.2	6.25
A9	7.5	2.2	6.75
A10	8.0	2.2	7.25
A11	8.5	2.2	7.75
A12	9.0	2.15	8.25
A13	9.5	2.15	8.75
A14	10	2.15	9.25

NO.	Name	Number	Qty	Materil	Remarks
Ⓔ	Terminal		2	Brass	Silvering
Ⓓ	Reed		1	SUS	Silver Covered
Ⓒ	Button		1	PPA	Black
Ⓑ	Cover		1	Brass	Plating Cu Sn
Ⓐ	Base		1	PPA	Black

**YUANDI®** Yuandi Electronics Co, Ltd

design	date	name	TACT SWITCHS
Review	date	model	TS-1043A-A□B□-D□-T2
Approved	date		

Drawing number: Proportion 1:1 unit mm gage number A4

angle	±2'
10~30	±0.30
5~10	±0.20
~ 5	±0.10

modify Review Approved Tolerance not specified