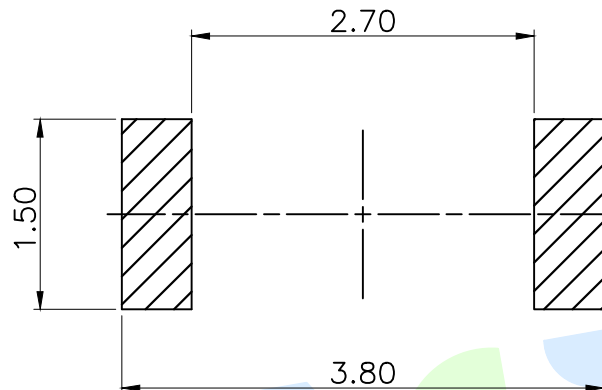
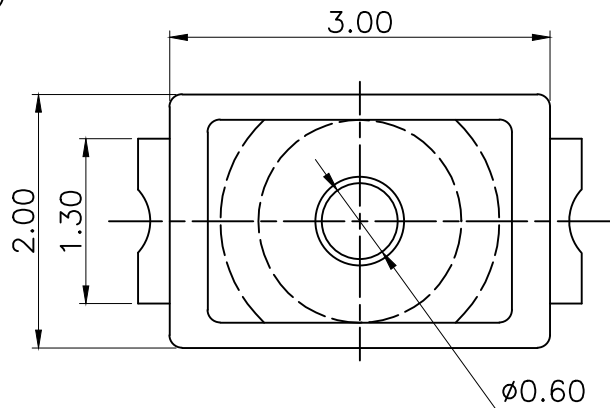
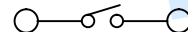
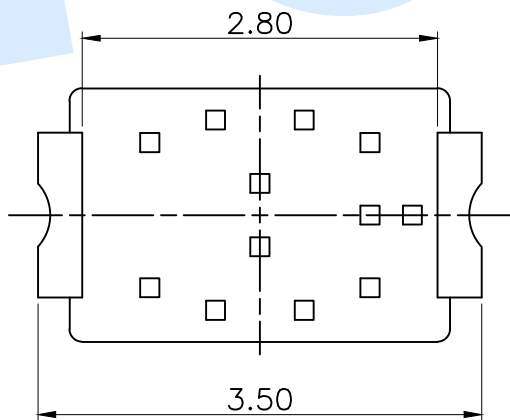
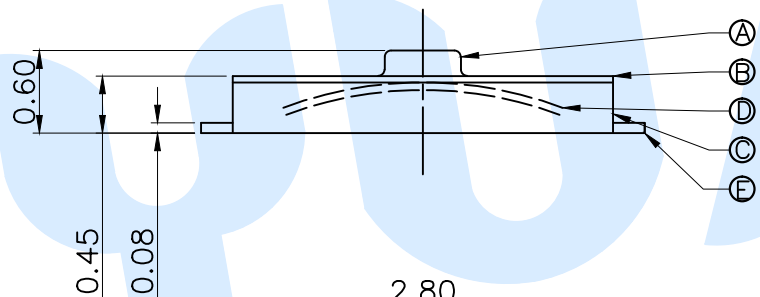


RoHS



PCB Layout(Pattern side)



Circuit Diagram

| SHRAPNEL | |
|----------|--------------|
| CODE | MATERIAL/QTY |
| D2 | SUS/1PCS |
| D4 | SUS/2PCS |

| OPERATING FORCE | |
|-----------------|----------|
| CODE | VIGOR |
| B1 | 120±30gf |
| B2 | 200±30gf |
| B3 | 250±30gf |

| | | | | | |
|-----|-----------|--------|-----|-----------------|-----------|
| Ⓔ | Terminal | | 2 | Phosphor bronze | Silvering |
| Ⓓ | Reed | | 2 | SUS | Silvering |
| Ⓒ | Base | | 1 | Nylon | Black |
| Ⓑ | Dust film | | 1 | Polyimide tape | |
| Ⓐ | Button | | 1 | PET | Black |
| NO. | Name | Number | Qty | Materil | Remarks |

YUANDI® Yuandi Electronics Co, Ltd

| | | | |
|----------|------|-------|--------------|
| design | date | name | TACT SWITCHS |
| Review | date | model | TS-1049-B□D□ |
| Approved | date | | |

Drawing number: A4

modify Review Approved Tolerance not specified Proportion 1:1 unit mm gage number

| | |
|-------|-------|
| angle | ±2' |
| 10~30 | ±0.30 |
| 5~10 | ±0.20 |
| ~ 5 | ±0.10 |