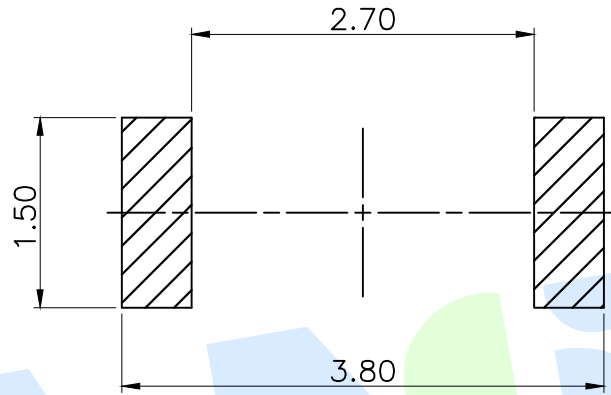
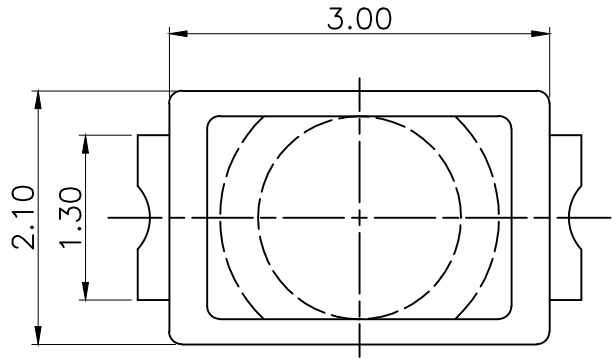
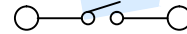
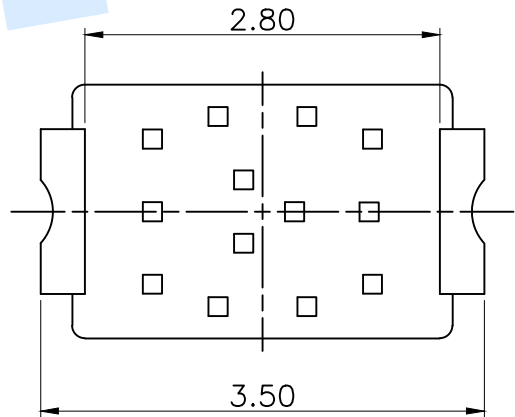
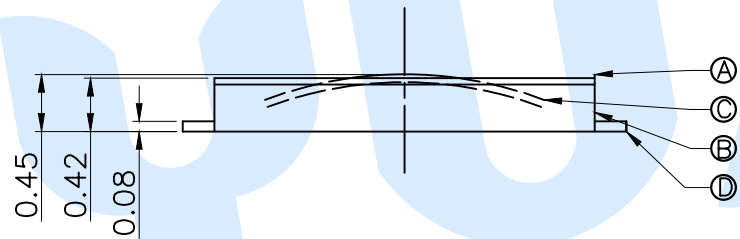


RoHS



PCB Layout(Pattern side)



Circuit Diagram

SHRAPNEL	
CODE	MATERIAL/QTY
D2	SUS/1PCS
D4	SUS/2PCS

OPERATING FORCE	
CODE	VIGOR
B1	120±30gf
B2	200±30gf
B3	250±30gf

Ⓓ	Terminal		2	Phosphor bronze	Silvering
Ⓒ	Reed		2	SUS	Silvering
Ⓑ	Base		1	Nylon	Black
Ⓐ	Dust film		1	Polyimide tape	
NO.	Name	Number	Qty	Materil	Remarks

**YUANDI®** Yuandi Electronics Co, Ltd

design	date	name	TACT SWITCHS
Review	date	model	TS-1049A-B□D□
Approved	date		

Drawing number:   
 modify Review Approved Tolerance not specified Proportion 1:1 unit mm gage number A4

									angle	±2'
									10~30	±0.30
									5~10	±0.20
									~ 5	±0.10