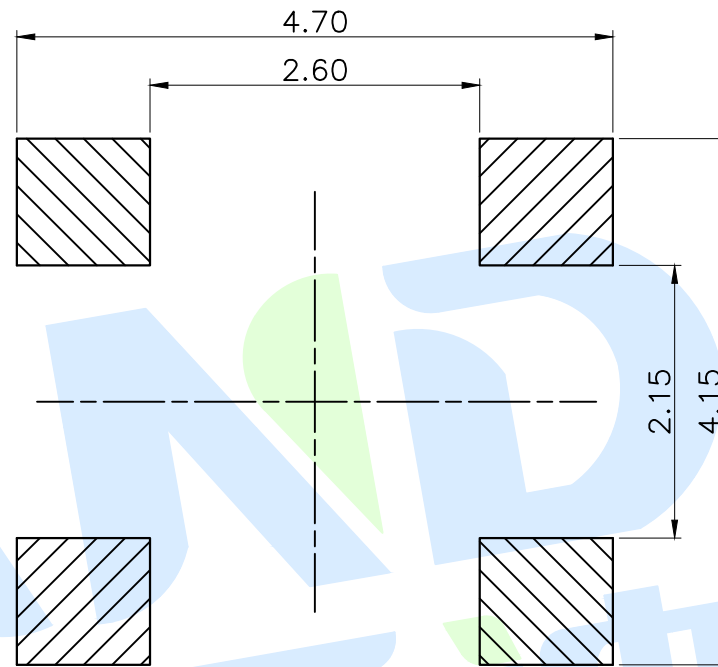
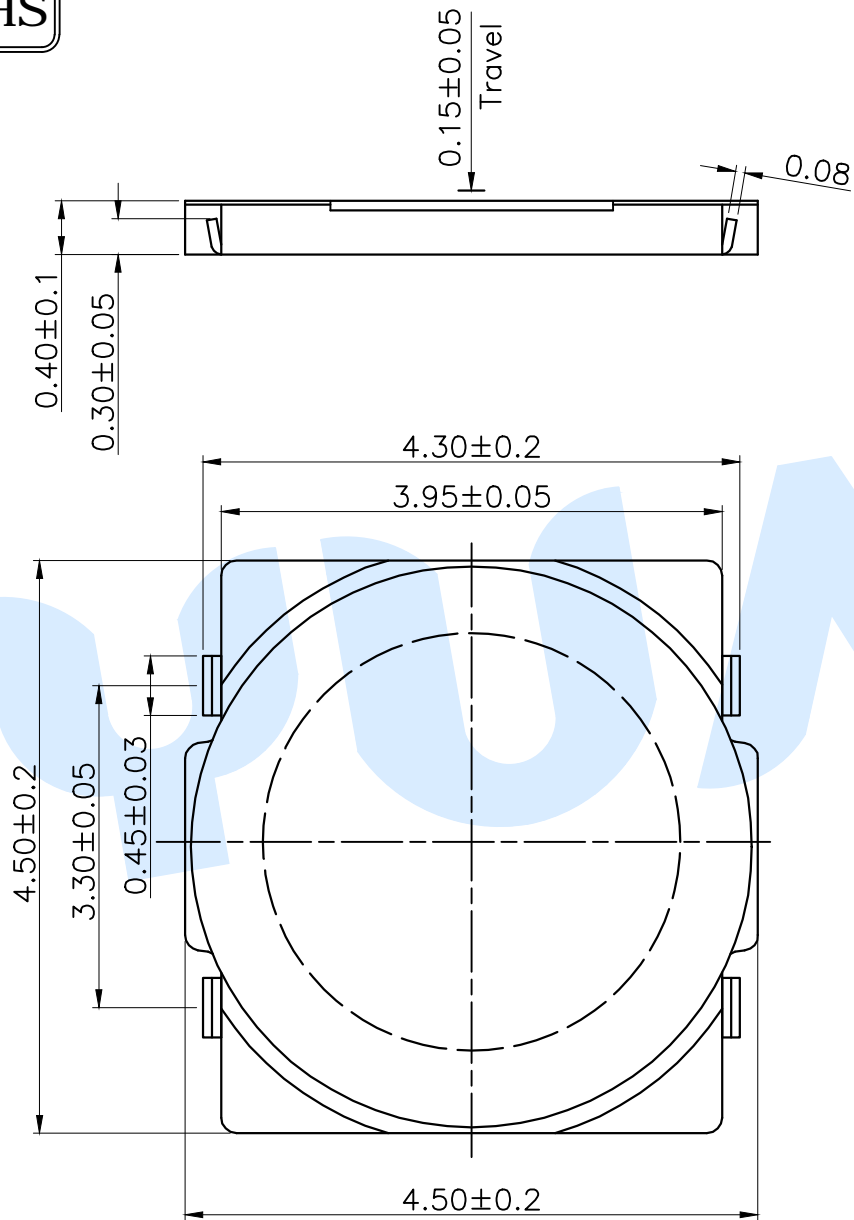
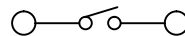


RoHS



PCB Layout (Pattern Side)



Circuit Diagram

OPERATING FORCE	
CODE	VIGOR
B2	180±30gf
B3	250±30gf

Ⓓ	Terminal		4	Phosphorus copper	Silvering
Ⓒ	Reed		1	SUS	Silver covered
Ⓑ	Base		1	LCP	White
Ⓐ	Dust film		1	Polyimide tape	
NO.	Name	Number	Qty	Materil	Remarks

**YUANDI**® Yuandi Electronics Co., Ltd

design	date	name	TACT SWITCHS
Review	date	model	TS-1053U-B□
Approved	date		
Drawing number:			
angle	±2'	Proportion	1:1
10~30	±0.30	unit	mm
5~10	±0.20	gape number	
~ 5	±0.10		
modify	Review	Approved	Tolerance not specified
			A4