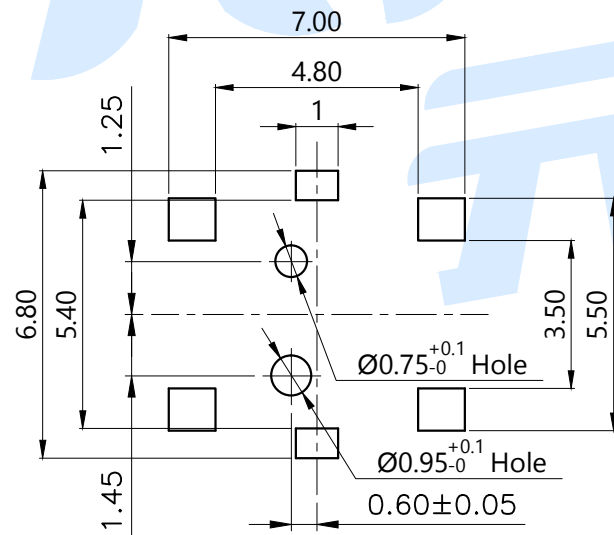
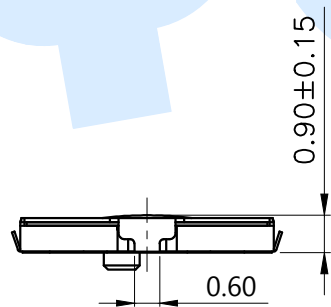
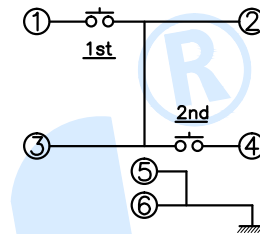
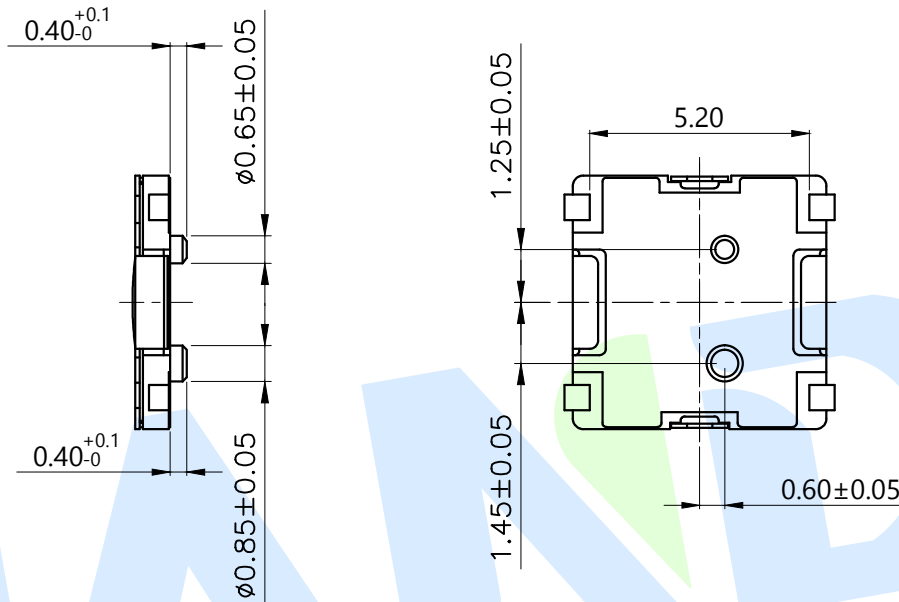
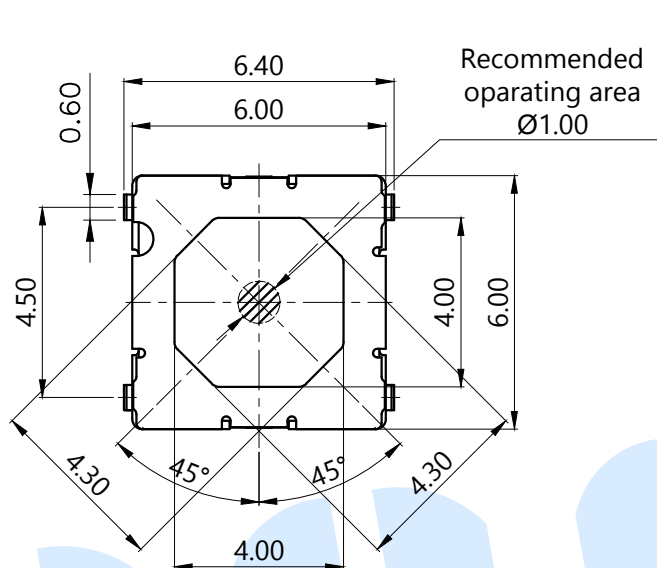


RoHS



OPERATING FORCE	
1st	100±40gf
2st	250±80gf

TRAVEL	
1st	0.25±0.1mm
2st	0.40±0.1mm

SHRAPNEL	
CODE	MATERIAL/QTY
D4	SUS/2PCS

PCB Layout(Pattern side)

Ⓔ	Terminal	4	Phosphor bronze	Silvering	
Ⓓ	Reed	2	SUS	Silver covered	
Ⓒ	Dust cover	1	Silica gel	White	
Ⓑ	Cover	1	SUS	Silvering	
Ⓐ	Base	1	LCP	White	
NO.	Name	Number	Qty	Materil	Remarks

YUANDI® Yuandi Electronics Co, Ltd

design	date	name	TACT SWITCHS
Review	date	model	TS-1055-D□
Approved	date		

Drawing number: Proportion 1:1 unit mm gage number A4

modify Review Approved Tolerance not specified