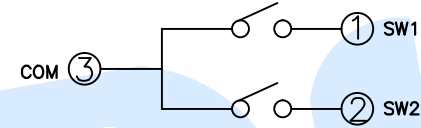
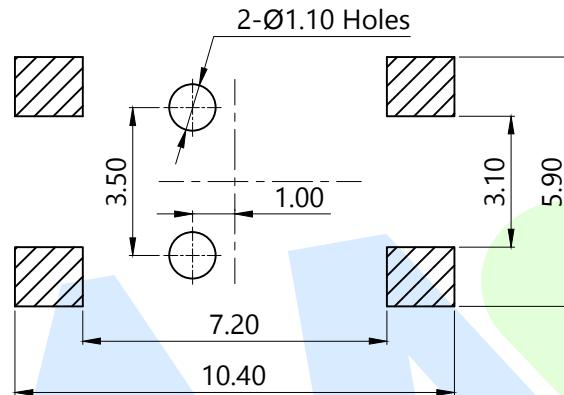
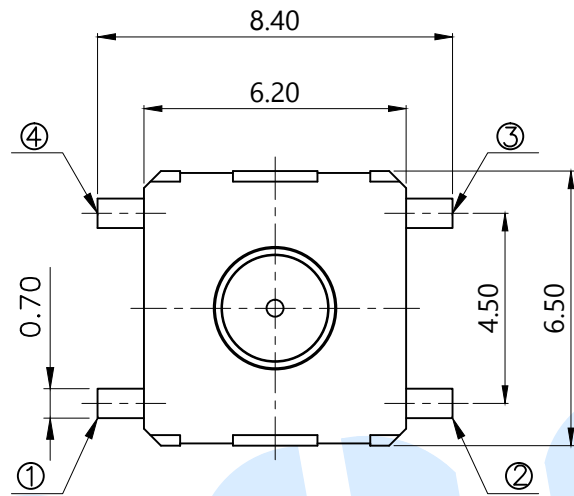
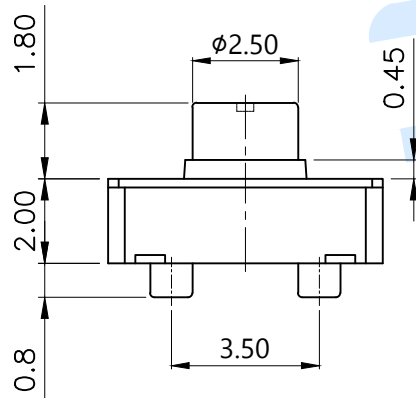
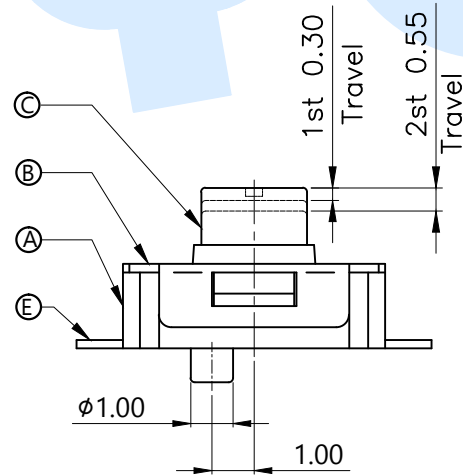


RoHS



Circuit Diagram

PCB Layout(Pattern side)



OPERATING FORCE	
1st	100±40gf
2st	250±80gf

NO.	Name	Number	Qty	Materil	Remarks
⑤	Terminal		4	Phosphor bronze	Silvering
④	Reed		1	SUS	Silver covered
③	Button		1	Nylon	White
②	Cover		1	SUS	Silvering
①	Base		1	Nylon	White

YUANDI® Yuandi Electronics Co, Ltd

design	date	name	TACT SWITCHS
Review	date	name	TS-1058S-B3D2
Approved	date	name	

Drawing number: Proportion 1:1 unit mm gage number A4

modify Review Approved Tolerance not specified