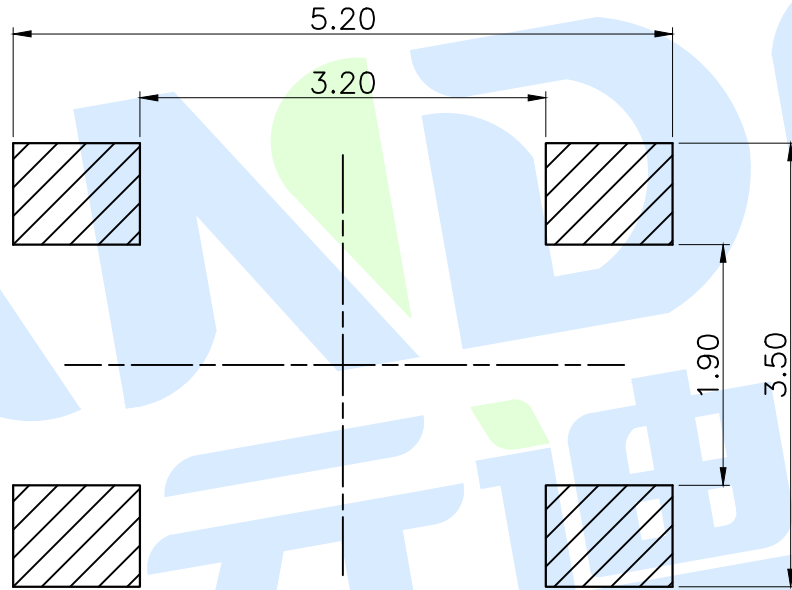
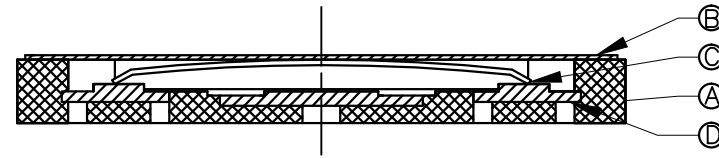
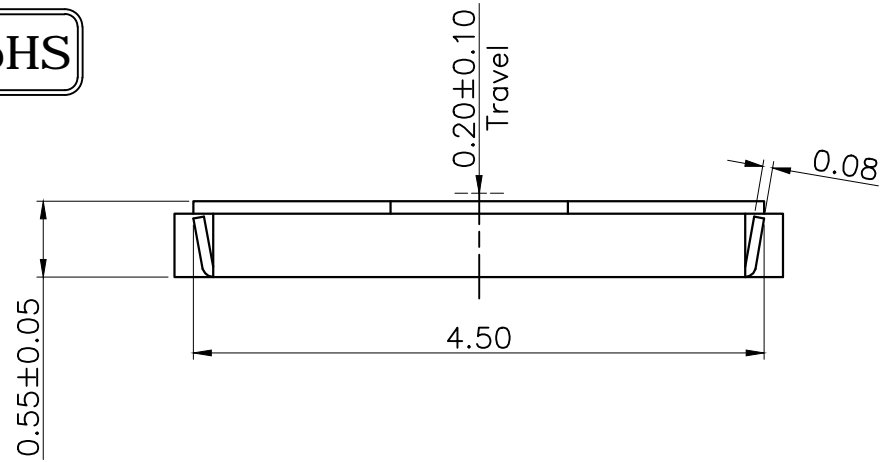
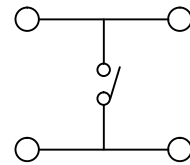
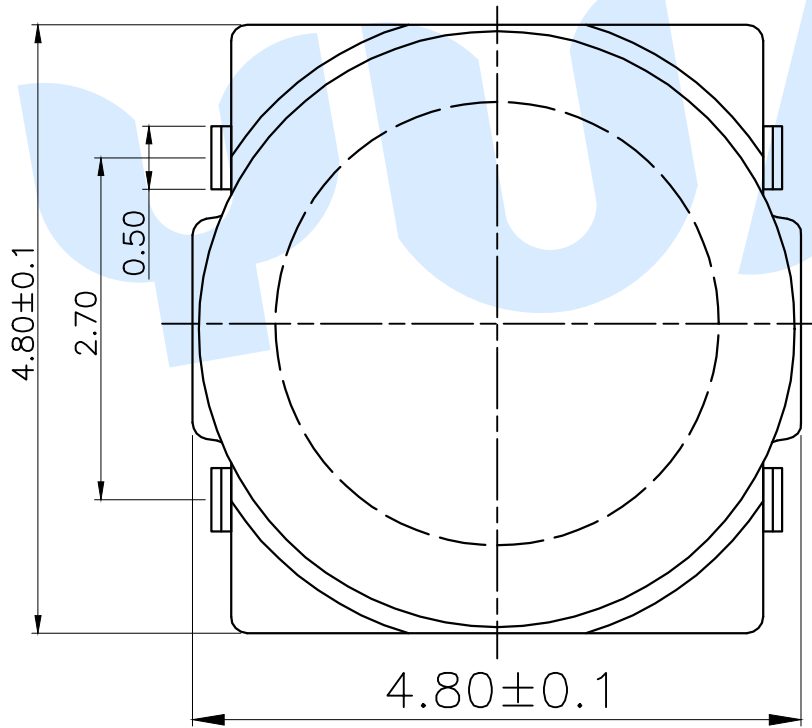


RoHS



PCB Layout (Pattern Side)



Circuit Diagram

OPERATING FORCE	
CODE	VIGOR
B2	180±30gf
B3	250±30gf

NO.	Name	Number	Qty	Materil	Remarks
④	Terminal		4	Phosphor copper	Silvering
③	Reed		1	SUS	Silvering covered
②	Dust film		1	Polyimide tape	
①	Base		1	LCP	White

YUANDI® Yuandi Electronics Co., Ltd

design	date	name	TACT SWITCHS
Review	date	model	TS-1059U-B□
Approved	date		

Drawing number:
 angle ±2'
 10~30 ±0.30
 5~10 ±0.20
 ~ 5 ±0.10
 Tolerance not specified
 Proportion 1:1
 unit mm
 gage number
 A4

modify Review Approved