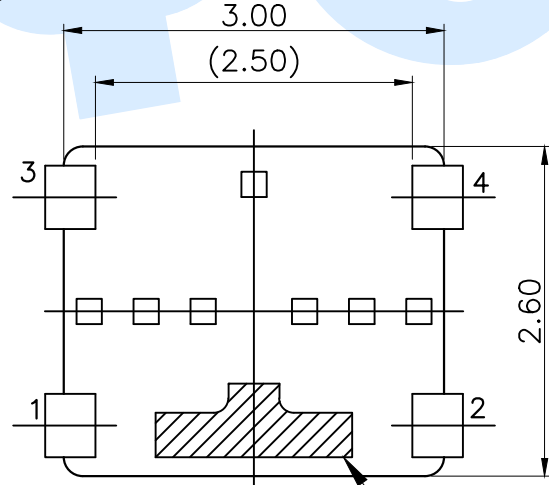
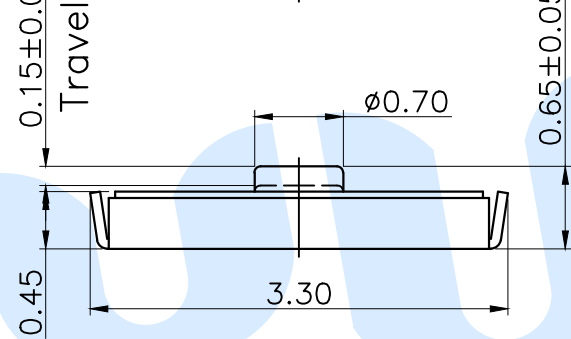
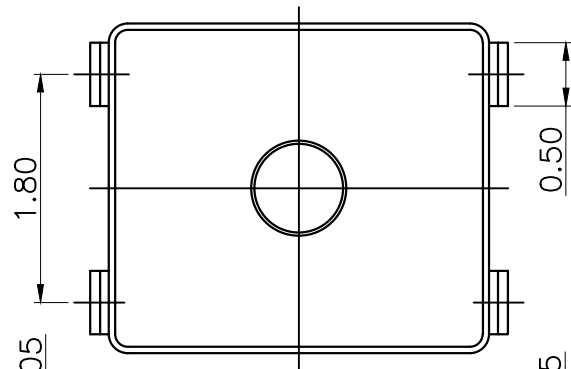
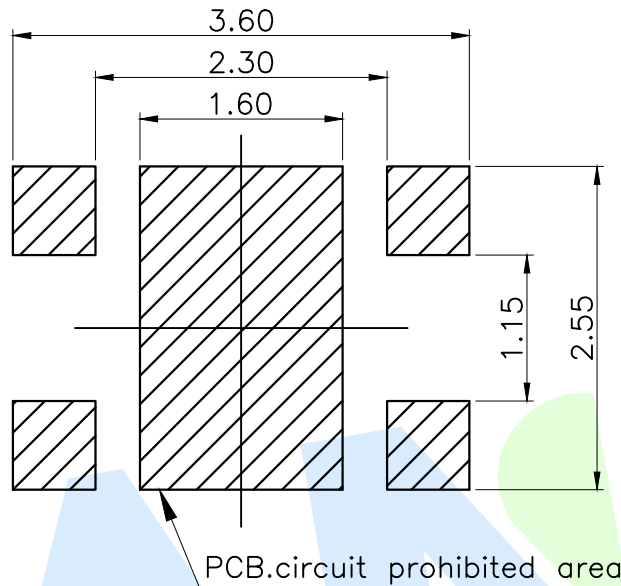


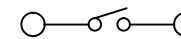
RoHS



1.2 Terminal bottom exposed area PCB circuit prohibited



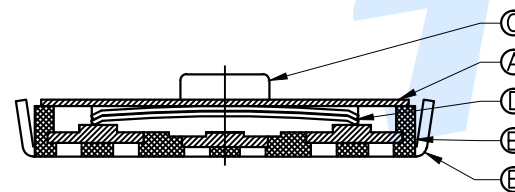
PCB Layout (Pattern Side)



Circuit Diagram

OPERATING FORCE	
CODE	VIGOR
B2	200±30gf
B3	300±30gf

SHRAPNEL	
CODE	MATERIAL/QTY
D2	SUS/1PCS
D4	SUS/2PCS



Ⓔ	Terminal		4	Phosphor bronze	Silvering
Ⓓ	Reed		2	SUS	Silvering
Ⓒ	Button		1	PET	Black
Ⓑ	Base		1	Nylon	Black
Ⓐ	Dust film		1	Polyimide tape	
NO.	Name	Number	Qty	Materil	Remarks

YUANDI® Yuandi Electronics Co.,Ltd

design	date	name	TACT SWITCHS
Review	date	model	TS-1060U-B□D□
Approved	date		

Drawing number: Proportion 1:1 unit mm gage number A4

modify Review Approved Tolerance not specified