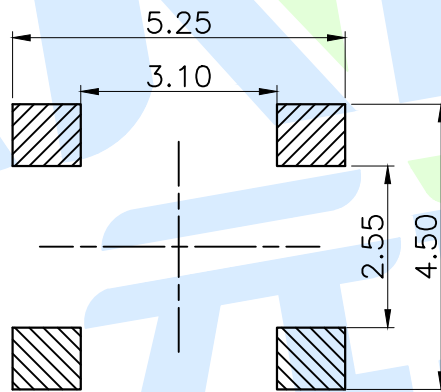
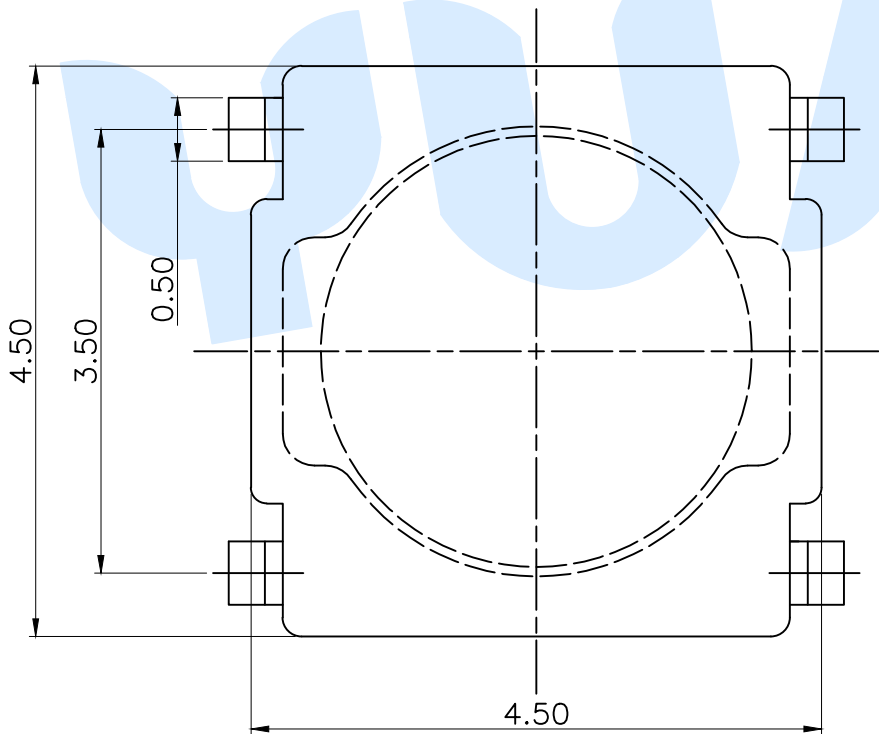
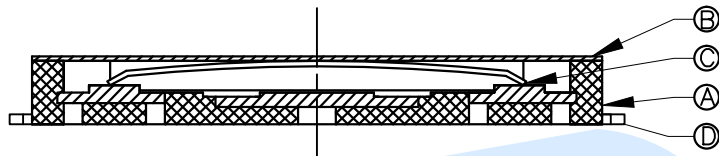
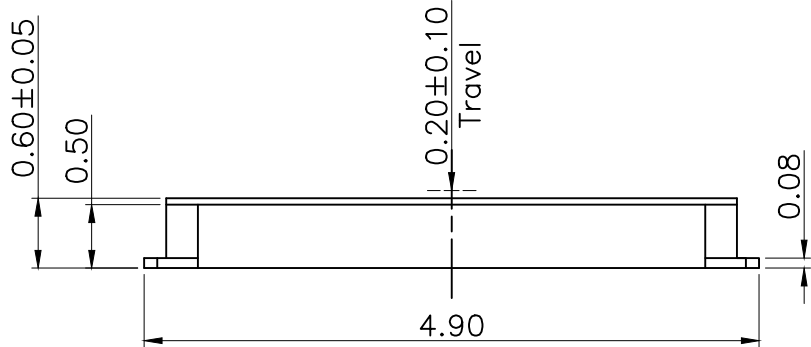
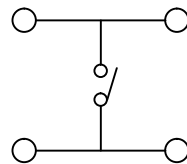


RoHS



OPERATING FORCE	
CODE	VIGOR
B2	180±30gf
B3	250±30gf

PCB Layout (Pattern Side)



Circuit Diagram

NO.	Name	Number	Qty	Material	Remarks
①	Terminal		4	Phosphor copper	Silvering
②	Reed		1	SUS	Silvering covered
③	Dust film		1	Polyimide tape	
④	Base		1	LCP	Black

YUANDI® Yuandi Electronics Co., Ltd

design	date	name	TACT SWITCHS
Review	date	model	TS-1062S-B□
Approved	date		

Drawing number: Proportion 1:1 unit mm gage number A4

modify Review Approved Tolerance not specified