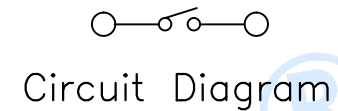
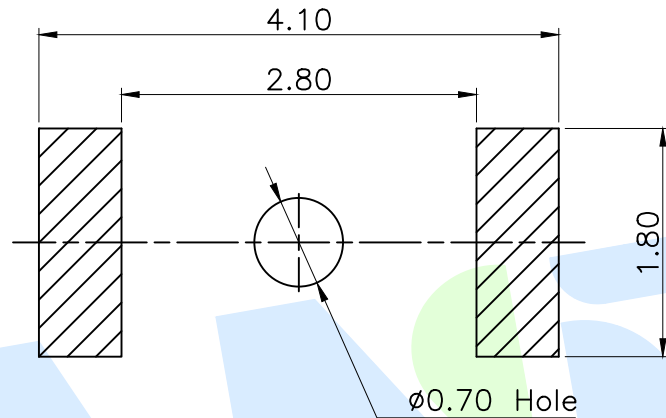
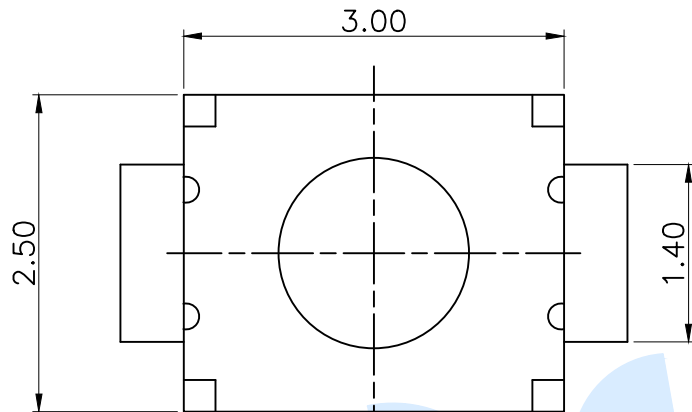


RoHS



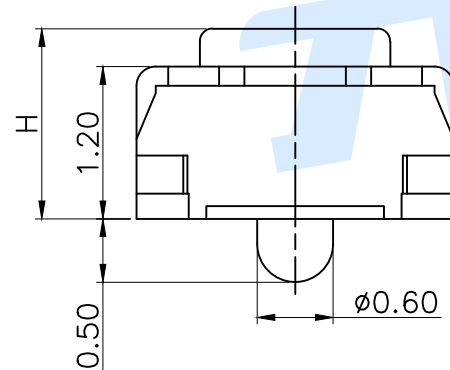
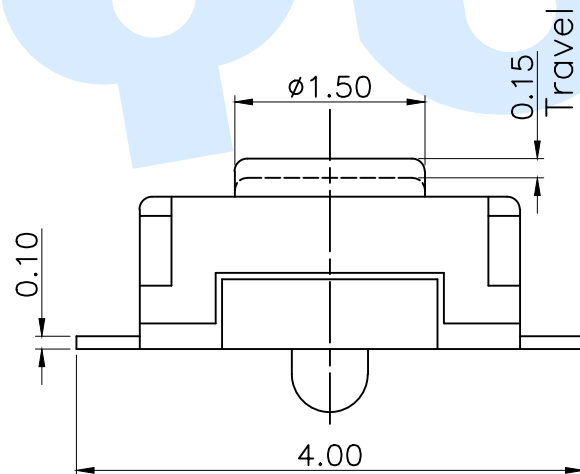
| TOTAL HEIGHT | |
|--------------|-----|
| CODE | H |
| A1 | 1.5 |
| A2 | 1.7 |

PCB Layout (Pattern Side)

| PART NO. |
|-----------|
| TS-1064S |
| |
| TS-1064SA |
| |

| SHRAPNEL | |
|----------|--------------|
| CODE | MATERIAL/QTY |
| D2 | SUS/1PCS |
| D4 | SUS/2PCS |

| OPERATING FORCE | |
|-----------------|----------|
| CODE | VIGOR |
| B2 | 180±30gf |
| B3 | 300±30gf |



| Ⓕ | Dust film | 1 | Polyimide tape | | |
|-----|-----------|--------|-----------------|-------------------|---------|
| Ⓖ | Terminal | 2 | Phosphor bronze | Silvering | |
| Ⓓ | Reed | 2 | SUS | Silvering covered | |
| Ⓒ | Base | 1 | LCP | White | |
| Ⓑ | Cover | 1 | SUS | Nickel plated | |
| Ⓐ | Button | 1 | LCP | Black | |
| NO. | Name | Number | Qty | Materil | Remarks |

YUANDI® Yuandi Electronics Co, Ltd

| | | | |
|----------|------|-------|------------------|
| design | date | name | TACT SWITCHS |
| Review | date | model | TS-1064S-A□B□-D□ |
| Approved | date | | |

Drawing number: Proportion 1:1 unit mm gage number A4

modify Review Approved Tolerance not specified

| | |
|-------|-------|
| angle | ±2' |
| 10~30 | ±0.30 |
| 5~10 | ±0.20 |
| ~ 5 | ±0.10 |