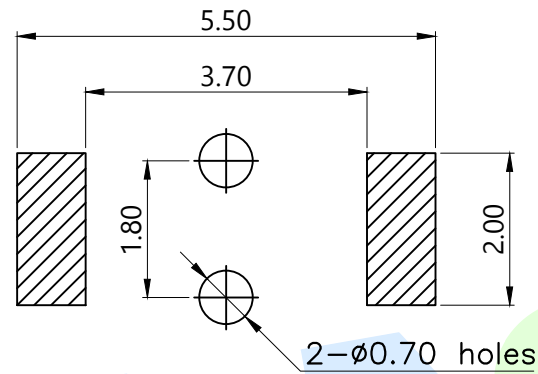
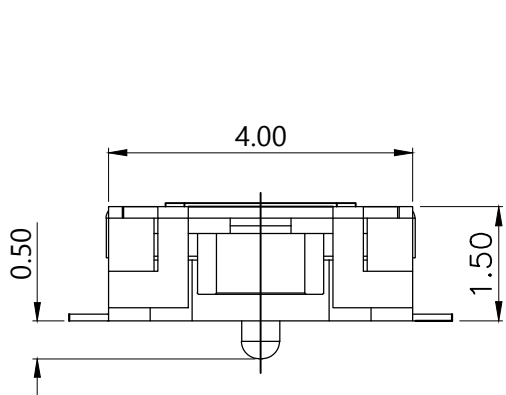
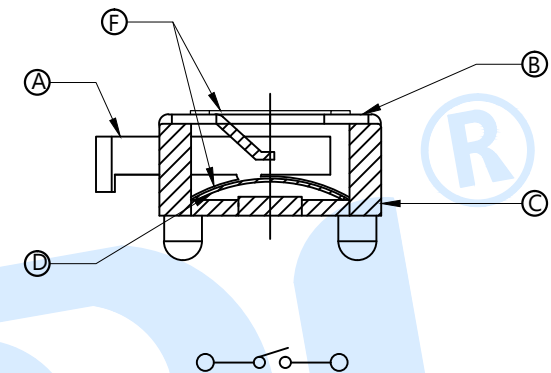


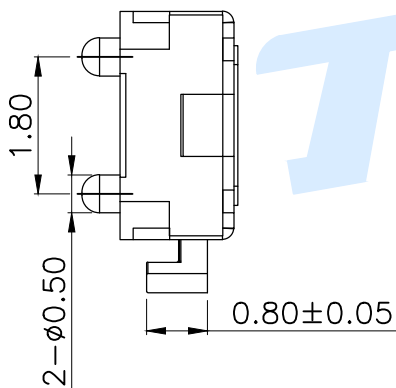
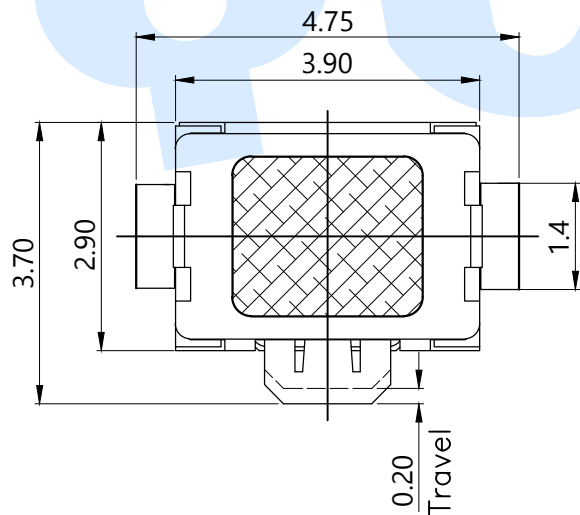
RoHS



PCB Layout(Pattern side)



Circuit Diagram



PART NO.	
TS-1066B	
TS-1066BS	

SHRAPNEL	
CODE	MATERIAL/QTY
D2	SUS/1PCS
D4	SUS/2PCS

OPERATING FORCE	
CODE	VIGOR
B2	180±30gf
B3	250±30gf

Ⓕ	Dust film		1	Polyimide tape	
Ⓔ	Terminal		2	Phosphorus copper	Silvering
Ⓓ	Reed		1	SUS	Silver covered
Ⓒ	Base		1	LCP	White
Ⓑ	Cover		1	SUS	Silvering
Ⓐ	Button		1	PA46	Black
NO.	Name	Number	Qty	Materil	Remarks

YUANDI® Yuandi Electronics Co, Ltd

design	date	name	TACT SWITCHS
Review	date	model	TS-1066B-B□D□
Approved	date		

Drawing number: Proportion 1:1 unit mm gage number A4

modify Review Approved Tolerance not specified

angle	±2'
10~30	±0.30
5~10	±0.20
~ 5	±0.10