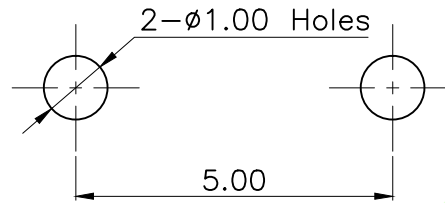
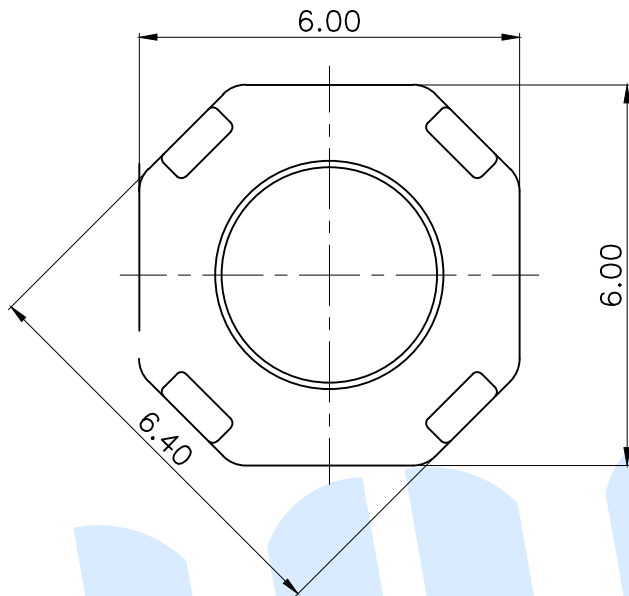
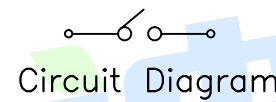
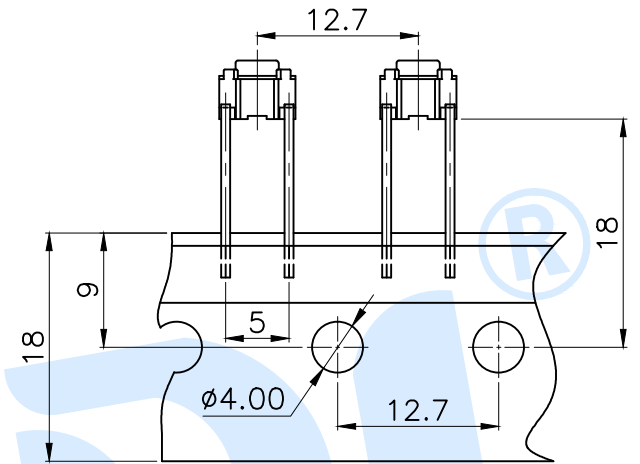


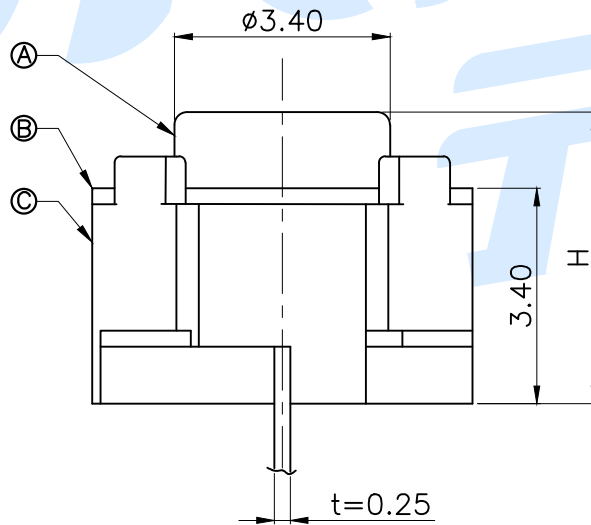
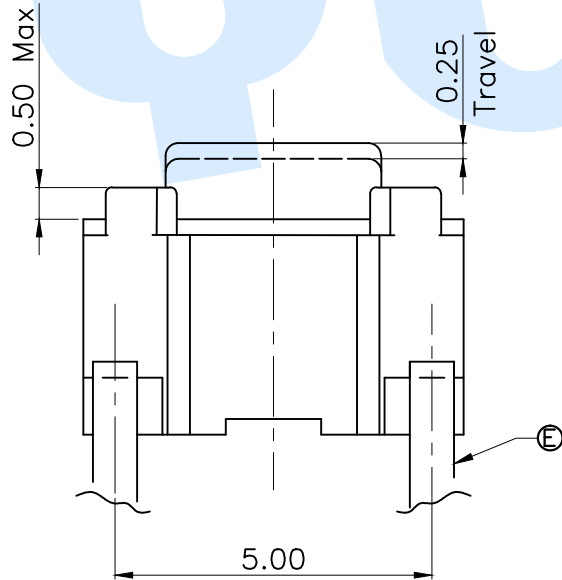
RoHS



PCB Layout (Pattern Side)



OPERATING FORCE	
CODE	VIGOR
B2	180±30gf
B3	250±30gf



TOTAL HEIGHT	
CODE	H
A1	4.3
A2	5.0

SHRAPNEL	
CODE	MATERIAL/QTY
D1	C5210/1PCS
D2	SUS/1PCS

NO.	Name	Number	Qty	Material	Remarks
Ⓔ	Terminal		1	Brass	Silvering
Ⓓ	Reed		1	Phosphorus copper	Silver covered
Ⓒ	Base		1	Nylon	White
Ⓑ	Cover		1	Brass	Silvering
Ⓐ	Button		1	Nylon	Black

YUANDI® Yuandi Electronics Co, Ltd

design	date	name	TACT SWITCHS
Review	date	model	TS-1067-A□B□-D□
Approved	date		

Drawing number: Proportion 1:1 unit mm gage number A4

modify Review Approved Tolerance not specified

angle	±2'
10~30	±0.30
5~10	±0.20
~ 5	±0.10