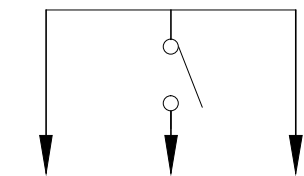
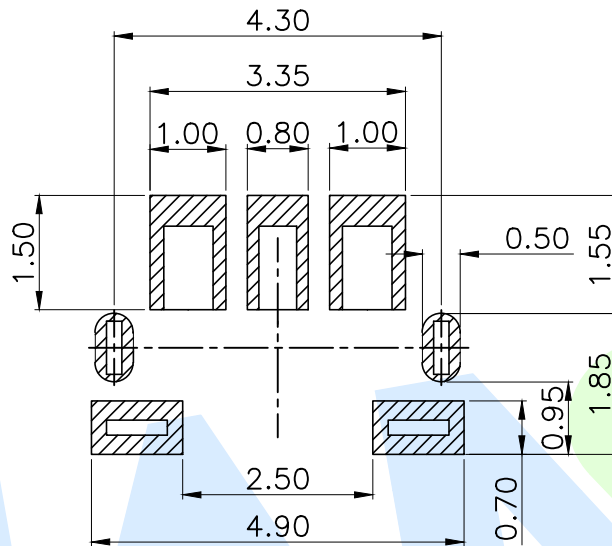
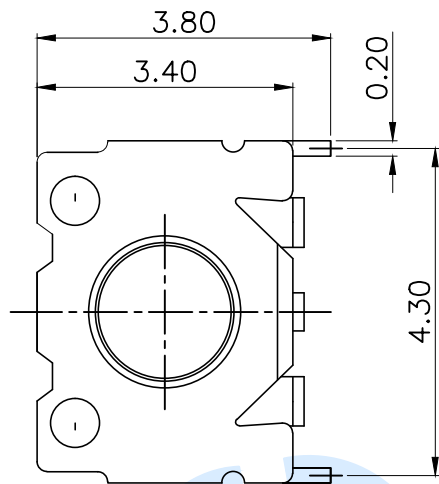
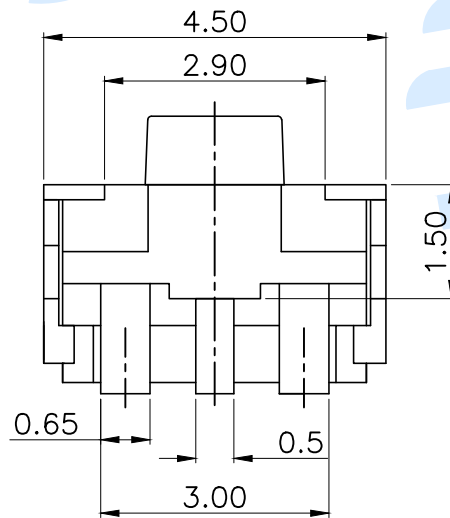
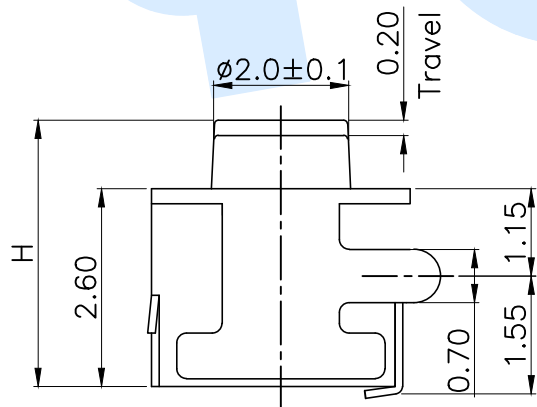


RoHS



Circuit Diagram

PCB Layout (Pattern side)



TOTAL HEIGHT	
CODE	H
A1	3.5
A2	6.0
A3	6.4

SHRAPNEL	
CODE	MATERIAL/QTY
D2	SUS/1PCS
D4	SUS/2PCS

OPERATING FORCE	
CODE	VIGOR
B2	180±30gf
B3	250±30gf

Ⓔ	Dust film	1	Polyimide tape		
Ⓔ	Terminal	3	Phosphorus bronze	Silvering	
Ⓓ	Reed	2	SUS	Silver covered	
Ⓒ	Button	1	LCP	White	
Ⓑ	Cover	1	Phosphorus bronze	Silvering	
Ⓐ	Base	1	LCP	Black	
NO.	Name	Number	Qty	Materil	Remarks

YUANDI® Yuandi Electronics Co, Ltd

design	date	name	TACT SWITCHS
Review	date	model	TS-1069-A□B□-D□
Approved	date		

modify Review Approved Tolerance not specified Proportion 1:1 unit mm gage number A4