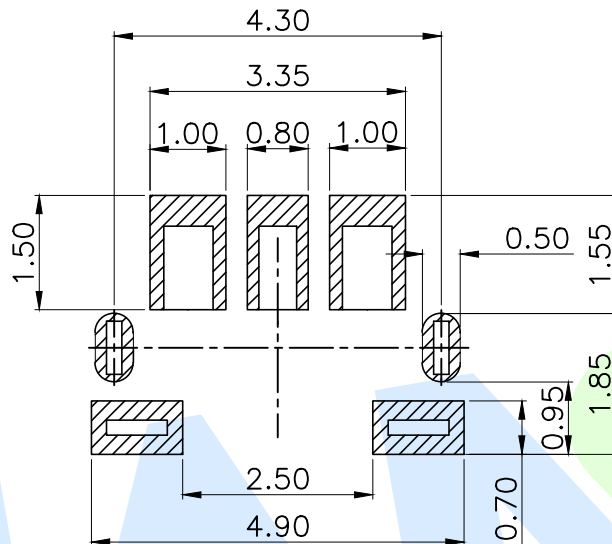
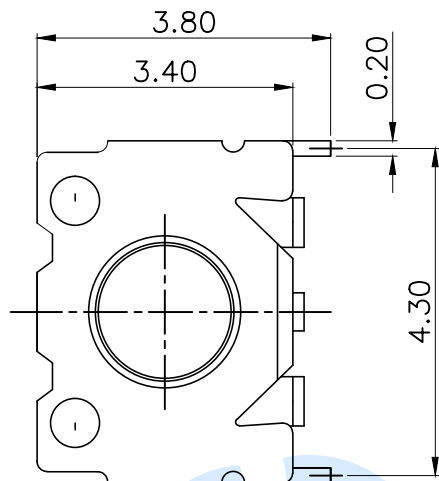
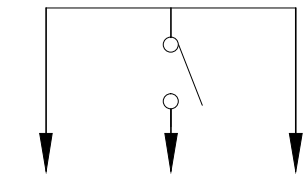


RoHS



PCB Layout (Pattern side)



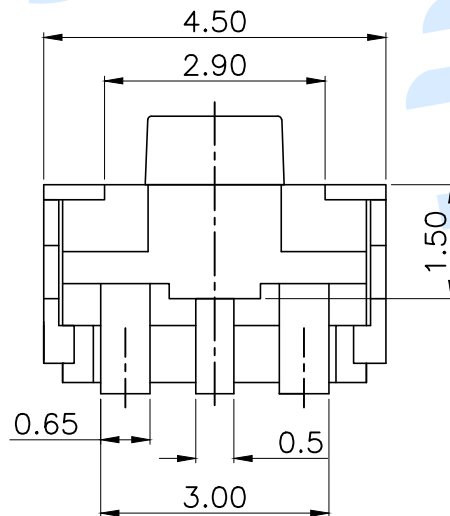
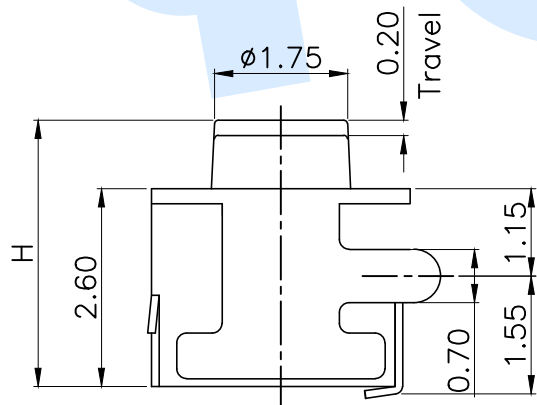
Circuit Diagram



TOTAL HEIGHT	
CODE	H
A1	3.5

SHRAPNEL	
CODE	MATERIAL/QTY
D2	SUS/1PCS
D4	SUS/2PCS

OPERATING FORCE	
CODE	VIGOR
B2	180±30gf
B3	250±30gf



NO.	Name	Number	Qty	Materil	Remarks
⑤	Dust film		1	Polyimide tape	
④	Terminal		3	Phosphorus bronze	Silvering
③	Reed		2	SUS	Silver Covered
②	Button		1	Silica gel	Blue
①	Cover		1	Phosphorus bronze	Silvering
①	Base		1	LCP	Black

YUANDI® Yuandi Electronics Co, Ltd

design	date	name	TACT SWITCHS
Review	date	model	TS-1069A-A□B□-D□
Approved	date		