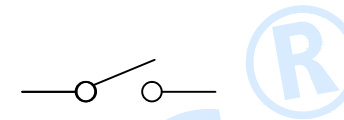
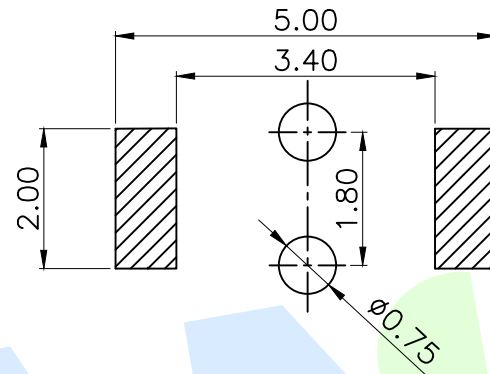
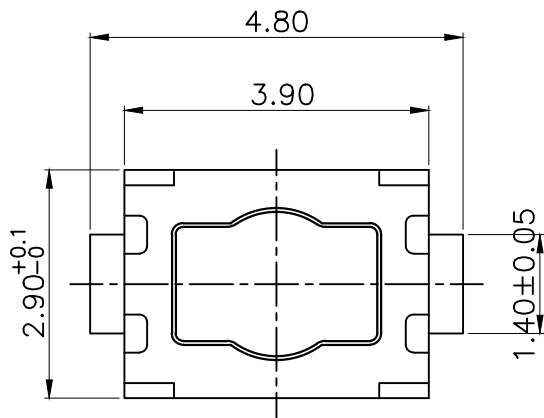


RoHS

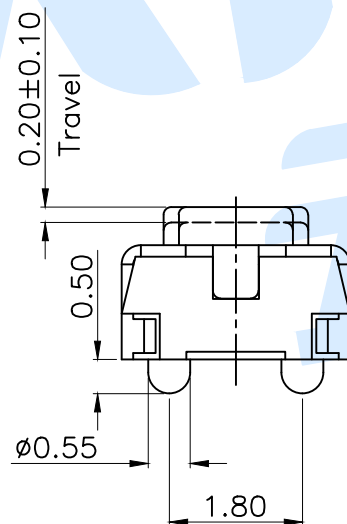
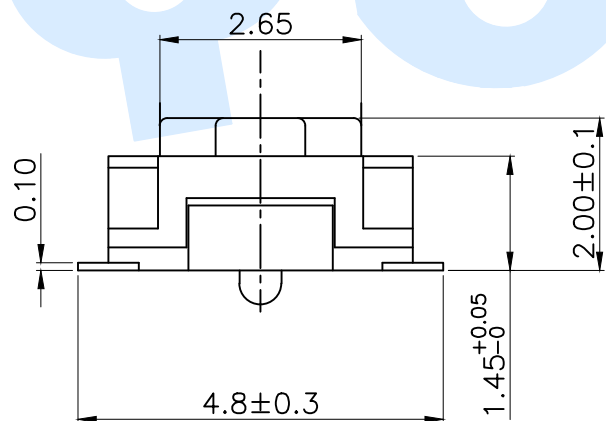


Circuit Diagram

PCB Layout (Pattern side)

SHRAPNEL	
CODE	MATERIAL/QTY
D2	SUS/1PCS
D4	SUS/2PCS

OPERATING FORCE	
CODE	VIGOR
B2	180±30gf
B3	250±30gf



Ⓕ	Dust film		1	Polyimide tape	
Ⓖ	Terminal		4	Phosphorus bronze	Silvering
Ⓓ	Reed		2	SUS	Silver Covered
Ⓒ	Button		1	PPA	Black
Ⓑ	Cover		1	SUS	Natural
Ⓐ	Base		1	Nylon	Black
NO.	Name	Number	Qty	Materil	Remarks

YUANDI® Yuandi Electronics Co, Ltd

design	date	name	TACT SWITCHS
Review	date	model	TS-1072S-B□D□
Approved	date		

modify Review Approved Tolerance not specified Proportion 1:1 unit mm gage number A4