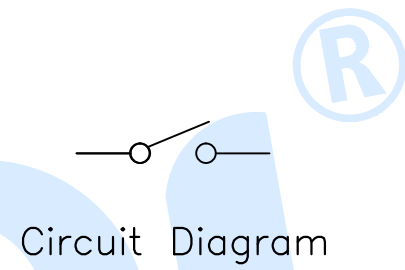
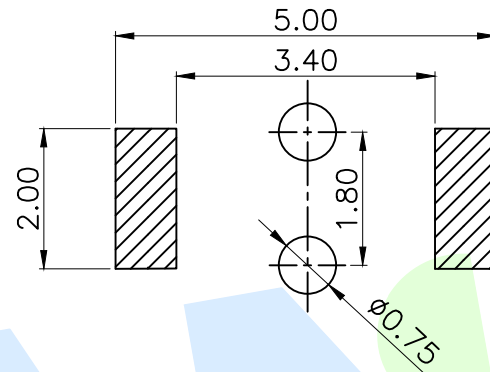
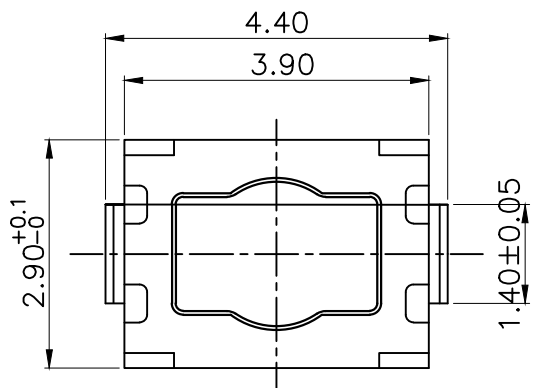
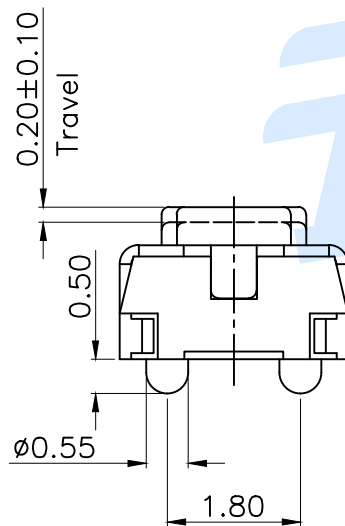
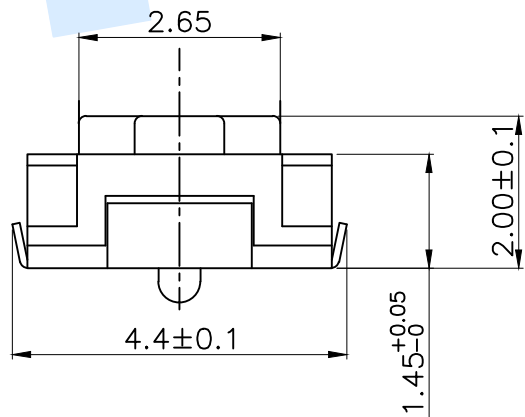


RoHS



PCB Layout(Pattern side)

OPERATING FORCE	
CODE	VIGOR
B2	180±30gf
B3	250±30gf



Ⓕ	Dust film		1	Polyimide tape	
Ⓖ	Terminal		4	Phosphorus bronze	Silvering
Ⓓ	Reed		1	SUS	Silver Covered
Ⓒ	Button		1	PA46	Black
Ⓑ	Cover		1	SUS	Natural
Ⓐ	Base		1	LCP	Black
NO.	Name	Number	Qty	Materil	Remarks

**YUANDI®** Yuandi Electronics Co, Ltd

design	date	name	TACT SWITCHS
Review	date	model	TS-1072U-B□
Approved	date		

Drawing number: Proportion 1:1 unit mm gape number A4

modify Review Approved Tolerance not specified

angle	±2'
10~30	±0.30
5~10	±0.20
~ 5	±0.10