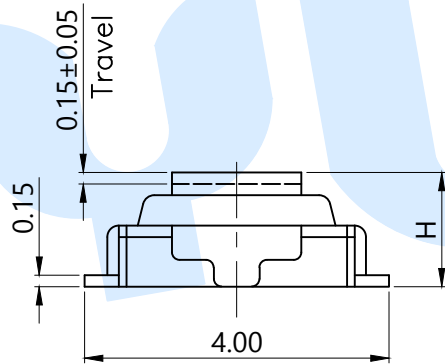
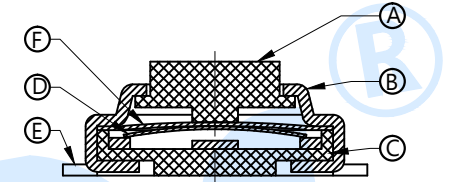
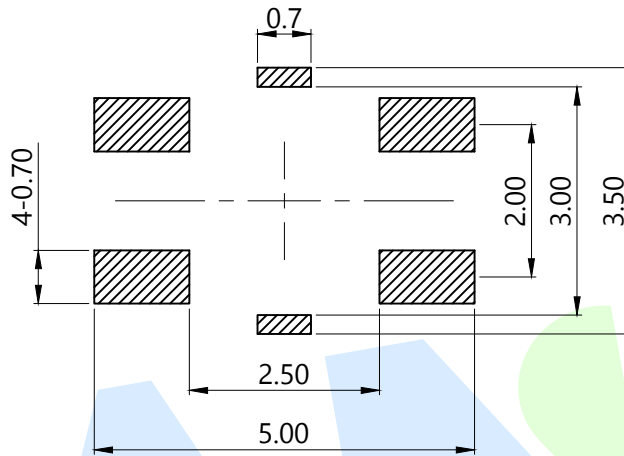
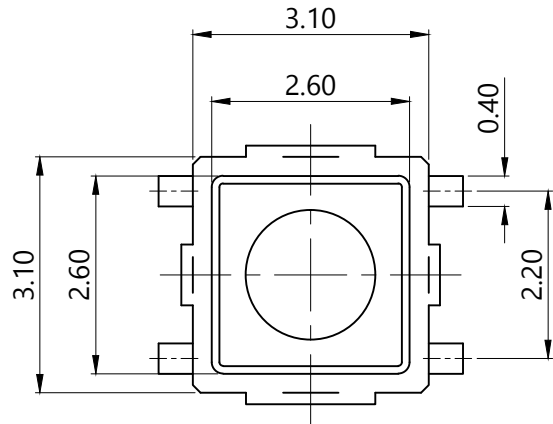
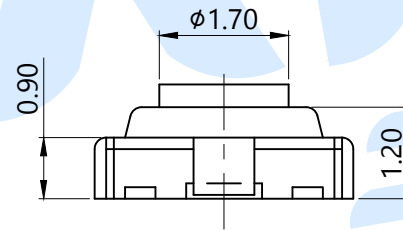


RoHS



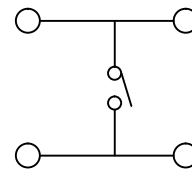
PCB Layout(Pattern side)



TOTAL HEIGHT	
CODE	H
A1	1.5
A2	2.0

OPERATING FORCE	
CODE	VIGOR
B2	180±30gf
B3	250±30gf

SHRAPNEL	
CODE	MATERIAL/QTY
D2	SUS/1PCS
D4	SUS/2PCS



Circuit Diagram

Ⓕ	Dust film	1	Polyimide tape		
Ⓖ	Terminal	4	Phosphor Bronze	Silvering	
Ⓓ	Reed	2	SUS	Silver covered	
Ⓒ	Base	1	LCP	Black	
Ⓑ	Cover	1	SUS	Silvering	
Ⓐ	Button	1	LCP	Black	
NO.	Name	Number	Qty	Material	Remarks

**YUANDI®** Yuandi Electronics Co, Ltd

design	date	name	TACT SWITCHS
Review	date	model	TS-1075S-A□B□-D□
Approved	date		

Drawing number: Proportion 1:1 unit mm gage number A4

modify Review Approved Tolerance not specified

angle ±2'  
10~30 ±0.30  
5~10 ±0.20  
~ 5 ±0.10