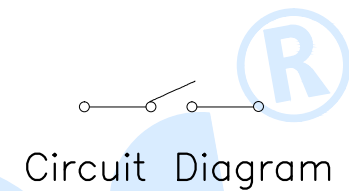
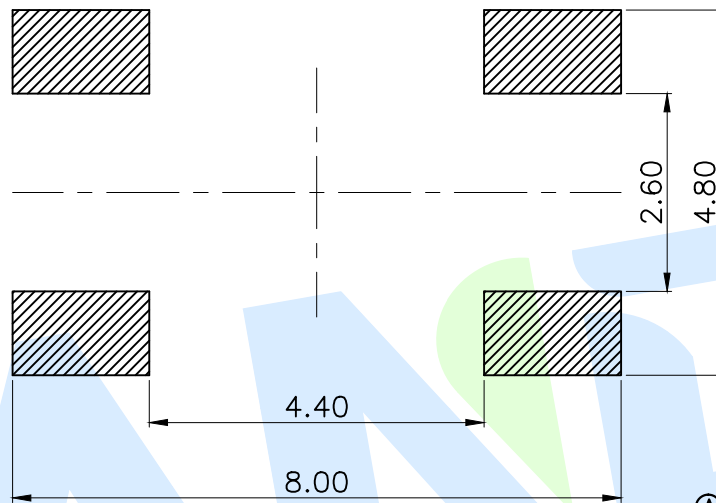
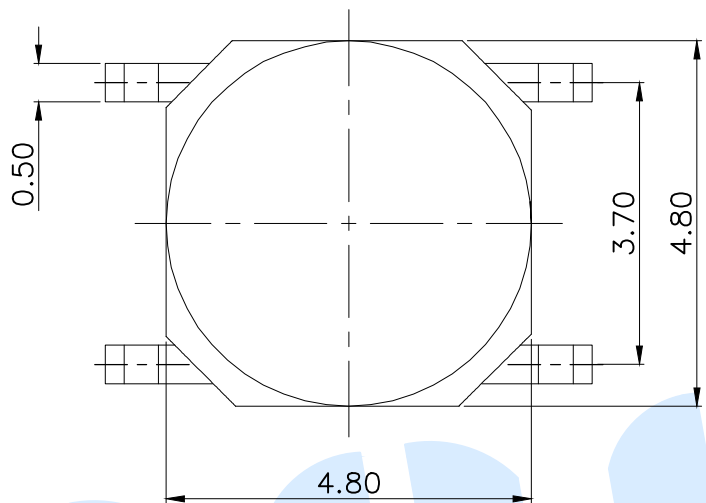
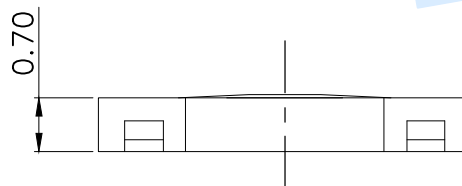
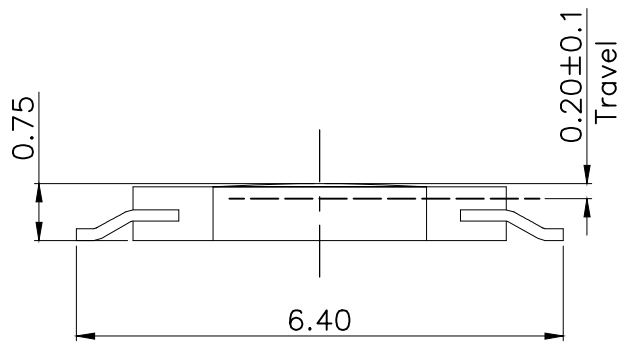
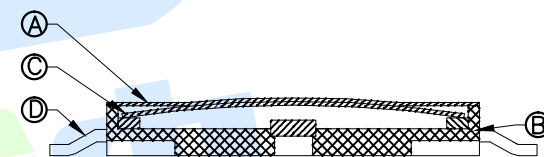


RoHS



PCB Layout(Pattern side)



| OPERATING FORCE |          |
|-----------------|----------|
| CODE            | VIGOR    |
| B2              | 180±30gf |
| B3              | 250±30gf |

| NO. | Name      | Number | Qty | Materil        | Remarks        |
|-----|-----------|--------|-----|----------------|----------------|
| ④   | Terminal  |        | 4   | Brass          | Silvering      |
| ③   | Reed      |        | 1   | SUS            | Silver covered |
| ②   | Base      |        | 1   | LCP            | Black          |
| ①   | Dust film |        | 1   | Polyimide tape |                |

YUANDI® Yuandi Electronics Co, Ltd

| design   | date | name            | TACT SWITCHS |
|----------|------|-----------------|--------------|
| Review   | date | model           | TS-1076D-B□  |
| Approved | date | Drawing number: |              |