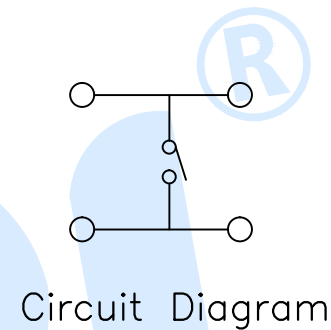
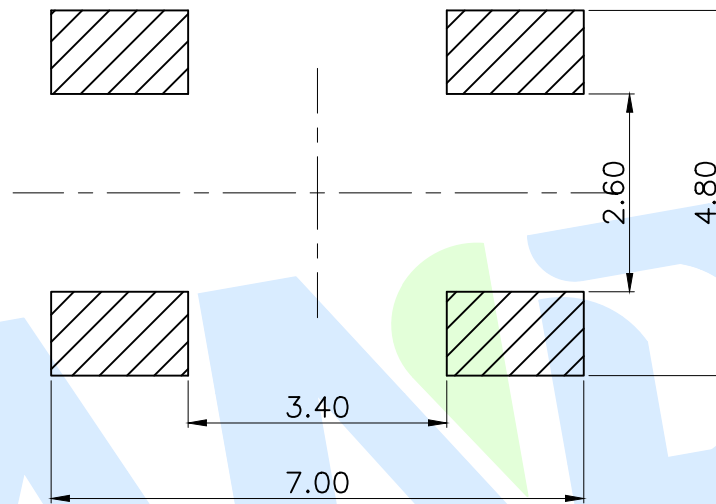
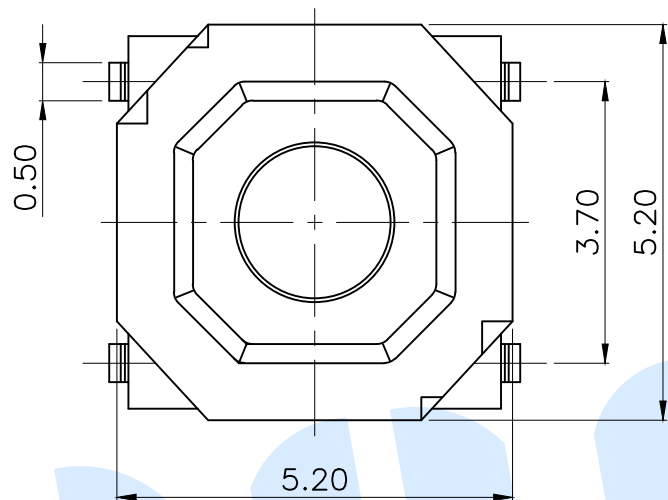
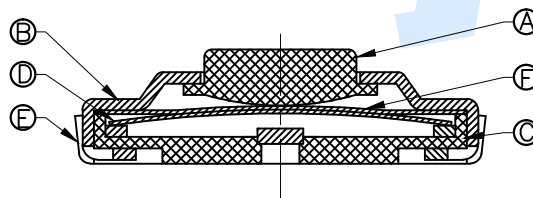
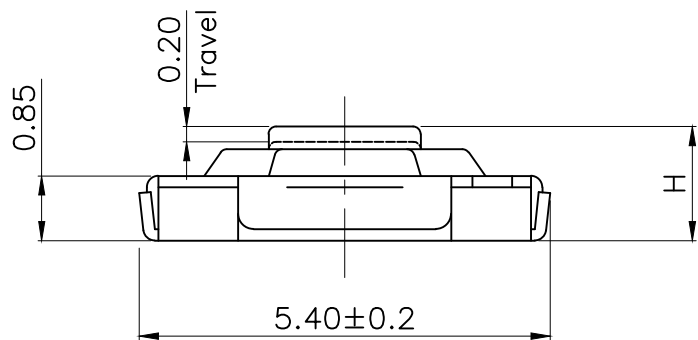


RoHS



PCB Layout(Pattern side)



OPERATING FORCE	
CODE	VIGOR
B1	120±30gf
B2	180±30gf
B3	250±30gf

TOTAL HEIGHT		
CODE	H	φ
A1	1.5	2.0
A2	1.6	2.0
A3	1.7	2.0
A4	1.8	2.0
A5	1.9	2.0
A6	2.0	2.0
A7	2.3	2.0
A8	2.5	2.0

Ⓕ	Dust film	1	Polyimide tape		
Ⓖ	Terminal	4	Brass	Silvering	
Ⓓ	Reed	1	SUS	Silver covered	
Ⓒ	Base	1	LCP	Black	
Ⓑ	Cover	1	SUS	Nickel plating	
Ⓐ	Button	1	Brass	Yellow	
NO.	Name	Number	Qty	Materil	Remarks

**YUANDI®** Yuandi Electronics Co, Ltd

design	date	name	TACT SWITCHS
Review	date	model	TS-1076U-A□B□
Approved	date		

Drawing number: Proportion 1:1 unit mm gage number A4

modify Review Approved Tolerance not specified

angle	±2'
10~30	±0.30
5~10	±0.20
~ 5	±0.10