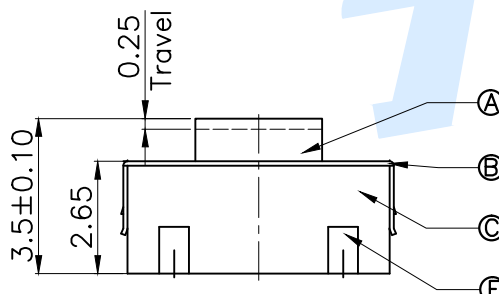
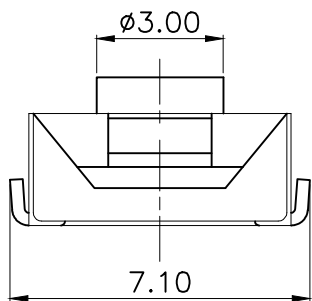
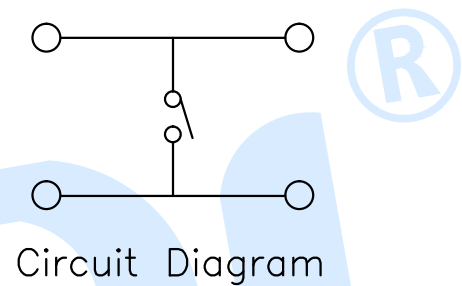
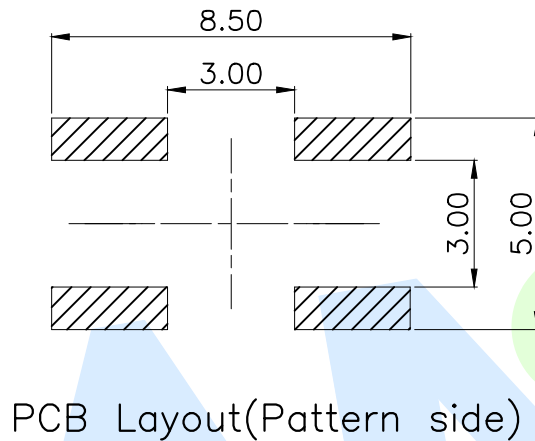
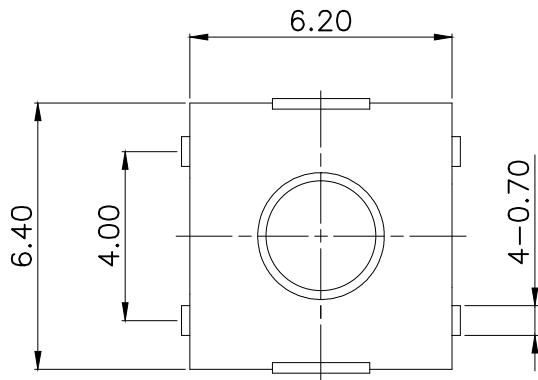


RoHS



SHRAPNEL	
CODE	MATERIAL/QTY
D1	C5210/1PCS
D2	SUS/1PCS

OPERATING FORCE	
CODE	VIGOR
B2	180±30gf
B3	250±30gf
B4	350±30gf

NO.	Name	Number	Qty	Materil	Remarks
Ⓔ	Terminal		4	Brass	Ag plating
Ⓓ	Contact		1	Phosphorus copper	Ag plating
Ⓒ	Base		1	PA6T	Black
Ⓑ	Cover		1	Brass	Copper tin
Ⓐ	Knob		1	PA6T	White

**YUANDI®** Yuandi Electronics Co, Ltd

design	date	name	TACT SWITCHS
Review	date	model	TS-1081U-B□D□
Approved	date		

Drawing number: Proportion 1:1 unit mm gage number A4

angle	±2'	10~30	±0.30	5~10	±0.20	~ 5	±0.10
modify	Review	Approved	Tolerance not specified				