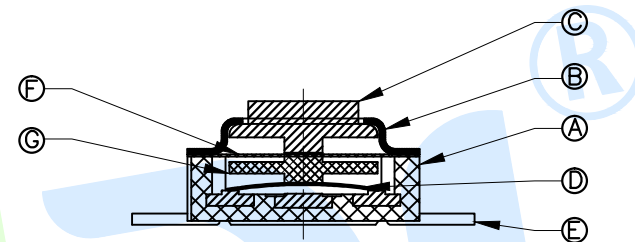
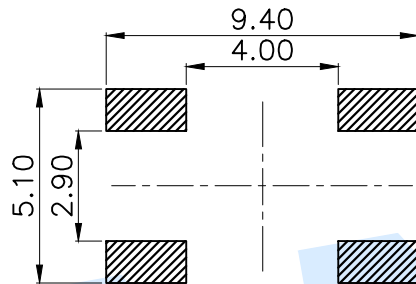
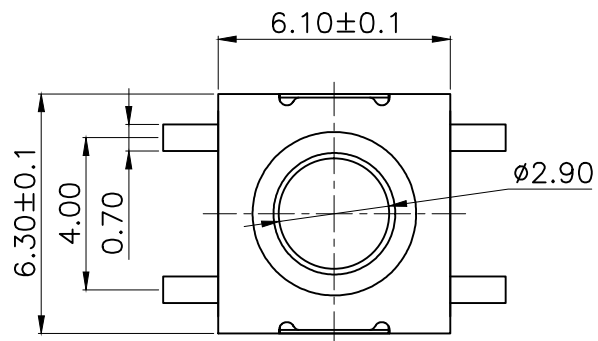
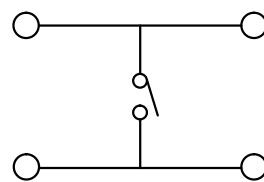
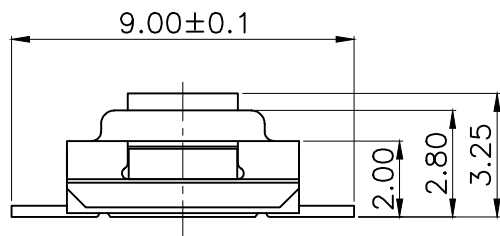


RoHS



SHRAPNEL	
CODE	MATERIAL/QTY
D2	SUS/1PCS
D4	SUS/2PCS

OPERATING FORCE	
CODE	VIGOR
B2	180±30gf
B3	250±30gf



Circuit Diagram

NO.	Name	Number	Qty	Materil	Remarkd
Ⓒ	Plastic mat	/	1	LCP	Black
Ⓕ	Dust film	/	1	Polyimide tape	
Ⓔ	Terminal	/	4	Phosphorus copper	Silvering
Ⓓ	Reed	/	1	SUS	Silver covered
Ⓒ	Button	/	1	PPA	Dark red
Ⓑ	Cover	/	1	SUS	Pickling
Ⓐ	Base	/	1	PA6T	Black

YUANDI® Yuandi Electronics Co, Ltd

design	date	name	TACT SWITCHS
Review	date	model	TS-1081A-B□D□
Approved	date		

Drawing number: Proportion 1:1 unit mm gage number A4

modify Review Approved Tolerance not specified

angle	±2'
10~30	±0.30
5~10	±0.20
~ 5	±0.10