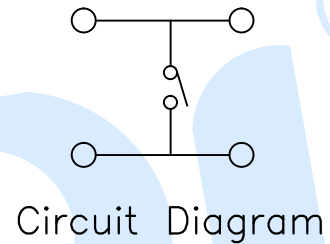
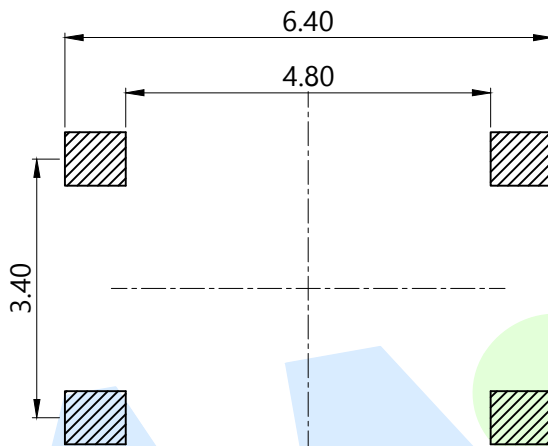
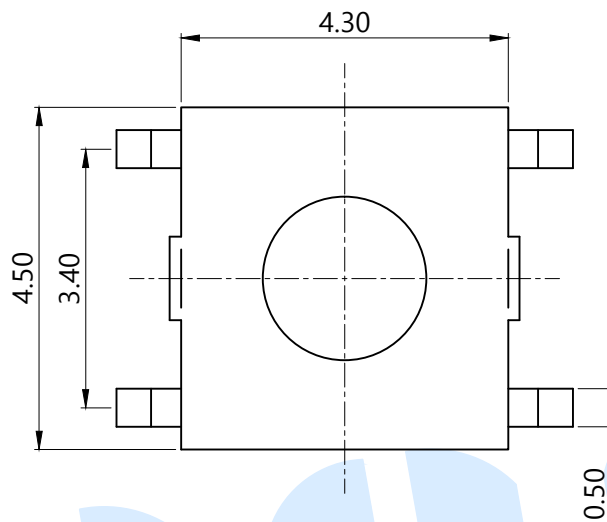
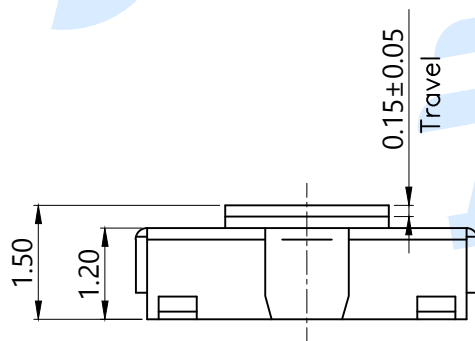
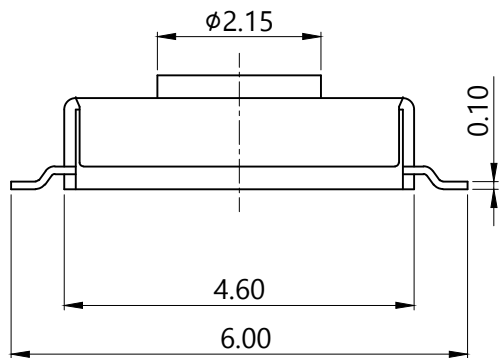


RoHS



PCB Layout(Pattern side)



OPERATING FORCE	
CODE	VIGOR
B2	180±30gf
B3	250±30gf

Ⓕ	Terminal		4	Phosphor Bronze	Silvering
Ⓓ	Reed		1	SUS	Silver covered
Ⓒ	Button		1	LCP	Black
Ⓑ	Cover		1	SUS	Copper tin
Ⓐ	Base		1	PPA	Black
NO.	Name	Number	Qty	Materil	Remarks

YUANDI® Yuandi Electronics Co, Ltd

design	date	name	TACT SWITCHS
Review	date	model	TS-1083A-B□
Approved	date		
Drawing number:			
angle	±2'	Proportion	1:1
10~30	±0.30	unit	mm
5~10	±0.20	gape number	A4
~ 5	±0.10		
Tolerance not specified			