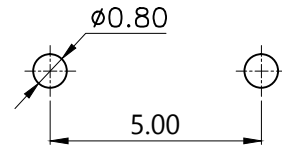
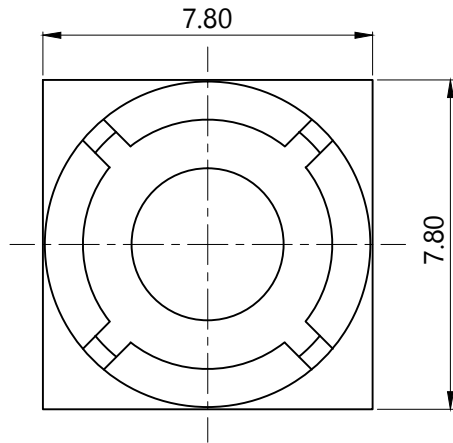
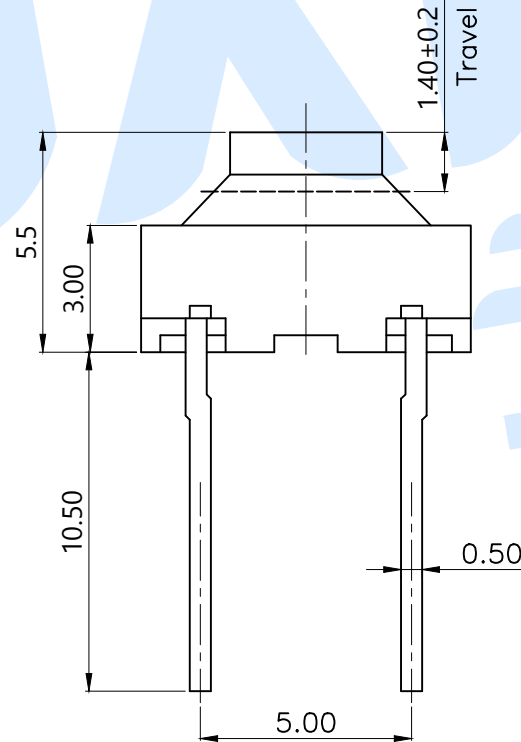
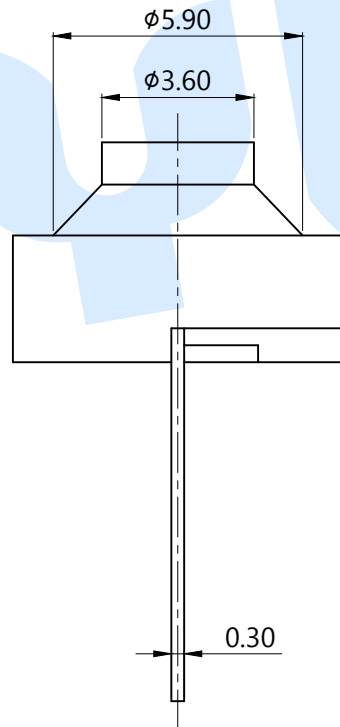
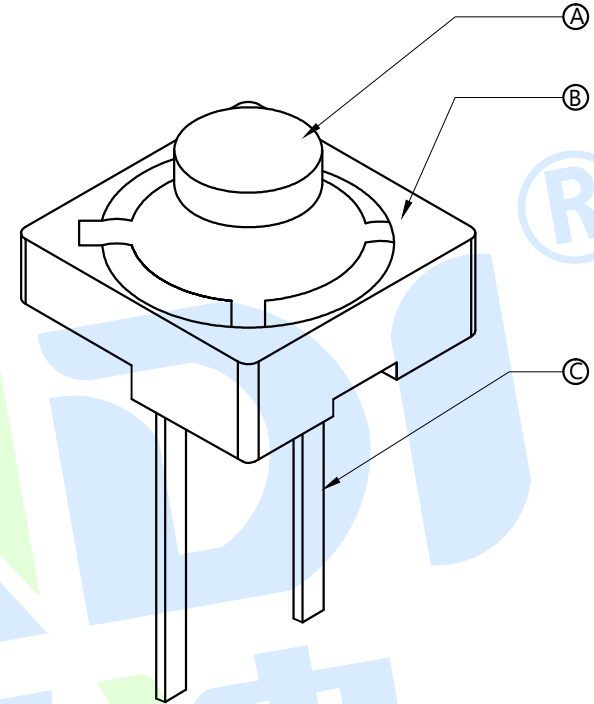


RoHS



PCB Layout(Pattern Side)



OPERATING FORCE	
CODE	VIGOR
B2	160±30gf

NO.	Name	Number	Qty	Materil	Remarks
Ⓒ	Terminal		2	Brass	Silvering
Ⓑ	Base		1	PA66	Black
Ⓐ	Knob		1	Silica gel	Gray

**YUANDI®** Yuandi Electronics Co, Ltd

design	date	name	TACT SWITCHS
Review	date	name	TS-1084A-B□
Approved	date	name	

modify	Review	Approved	Tolerance not specified	Proportion	1:1	unit	mm	gape number	A4
--------	--------	----------	-------------------------	------------	-----	------	----	-------------	----