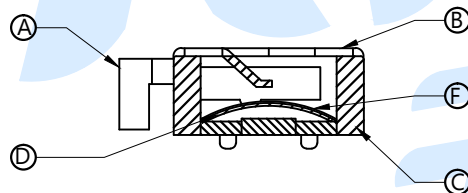
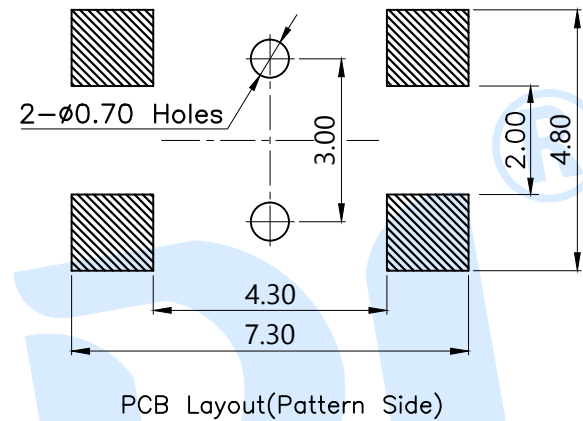
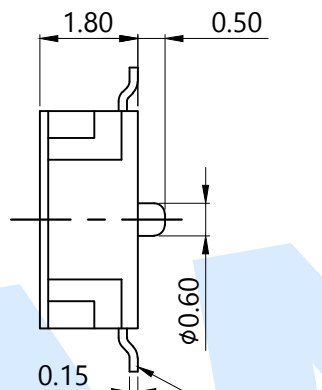
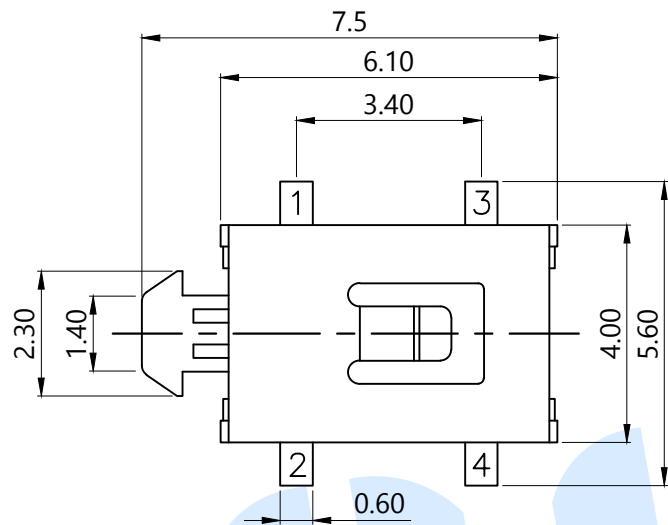
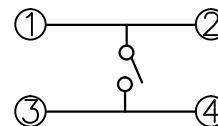
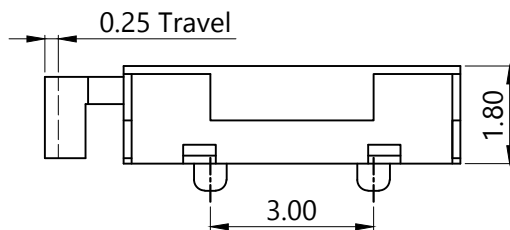


RoHS



PART NO.	TS-1086S
	TS-1086SA

OPERATING FORCE	
CODE	VIGOR
B2	180±30gf
B3	250±30gf



Circuit diagram

F	Dust film		1	Polyimide tape	
E	Terminal		4	Phosphor bronze	Silvering
D	Reed		1	SUS	Silver covered
C	Base		1	LCP	Black
B	Cover		1	SUS	Natural
A	Keystoke		1	PA46	Black
NO.	Name	Number	Qty	Materil	Remarks

YUANDI® Yuandi Electronics Co, Ltd

design	date	name	TACT SWITCHS
Review	date	model	TS-1086S-B□
Approved	date		

Drawing number: Proportion 1:1 unit mm gage number A4

modify Review Approved Tolerance not specified

angle	±2'
10~30	±0.30
5~10	±0.20
~ 5	±0.10