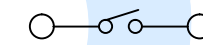
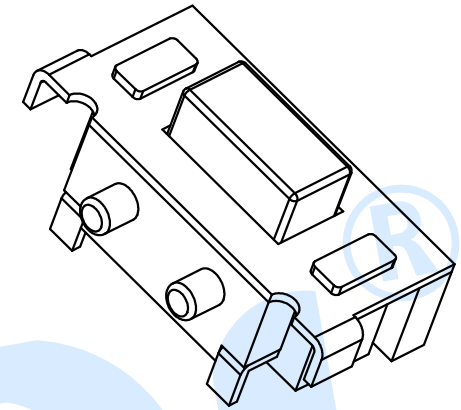
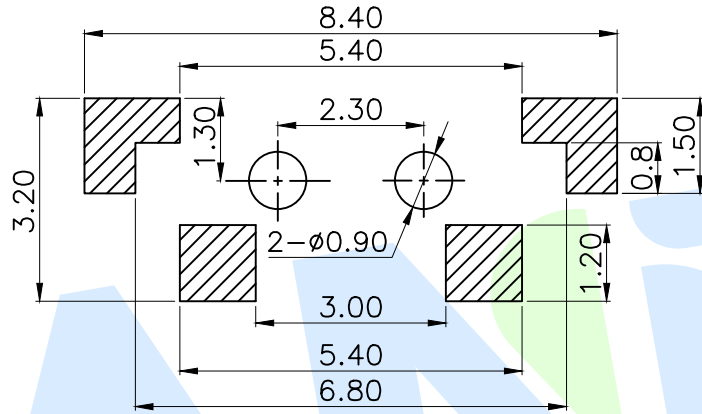
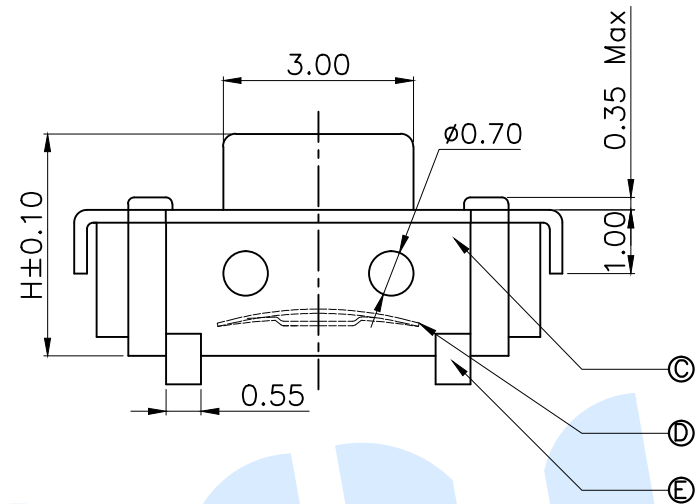


RoHS



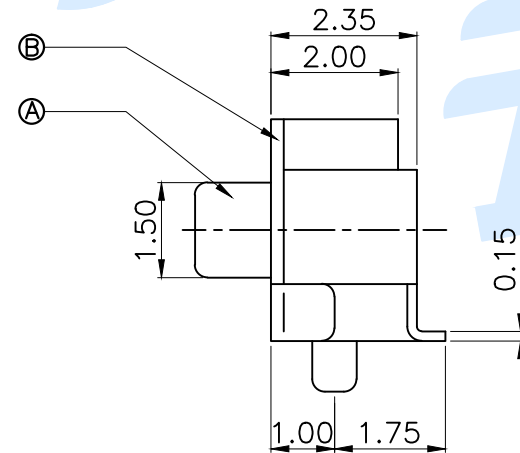
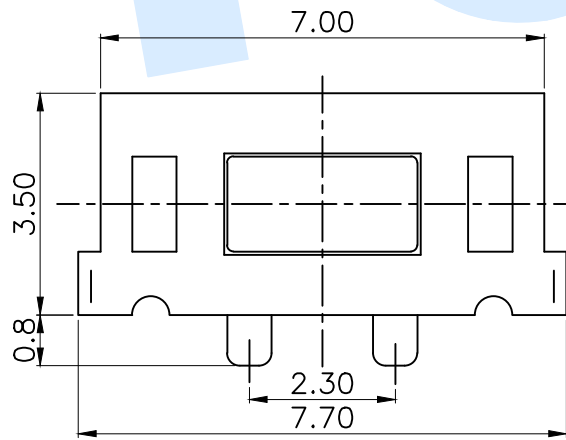
Circuit Diagram

PCB Layout recommended

TOTAL HEIGHT	
CODE	H
A1	3.3
A2	3.5
A3	3.8
A4	4.3

OPERATING FORCE	
CODE	VIGOR
B2	180±30gf
B3	250±30gf

SHRAPNEL	
CODE	MATERIAL/QTY
D2	SUS/1PCS
D4	SUS/2PCS



NO.	Name	Number	Qty	Materil	Remarks
⑤	Terminal		2	Phosphor Bronze	Silvering
④	Contact		1	SUS	Silver covered
③	Base		1	Nylon	White
②	Cover		1	Brass	Nickel Plating
①	Knob		1	Nylon	Black

YUANDI® Yuandi Electronics Co, Ltd

design	date	name	TACT SWITCHS
Review	date	model	TS-1087B-A□B□-D□
Approved	date		

Drawing number: Proportion 1:1 unit mm gage number A4

modify Review Approved Tolerance not specified

angle	±2'
10~30	±0.30
5~10	±0.20
~ 5	±0.10