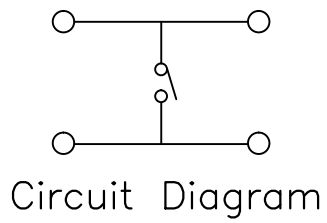
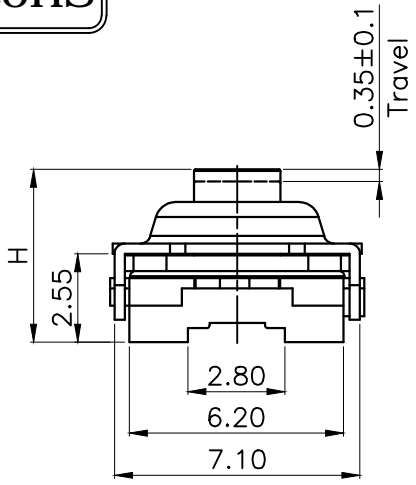
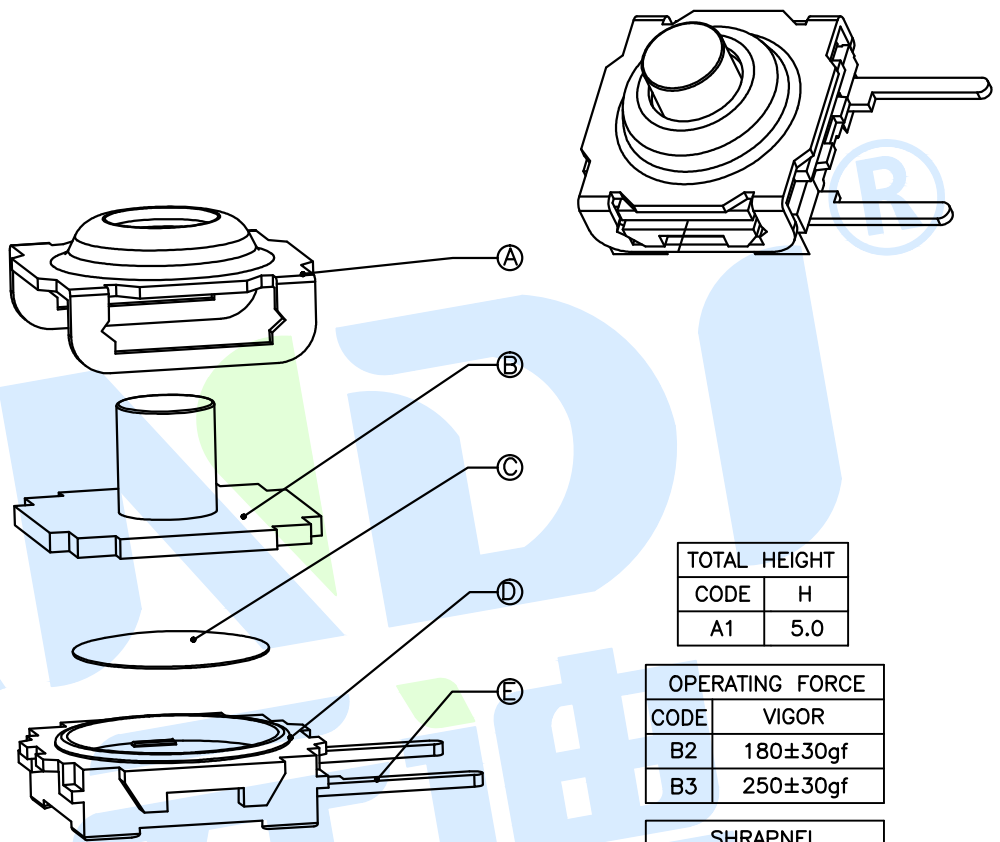
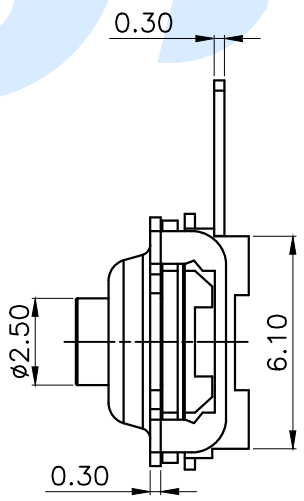
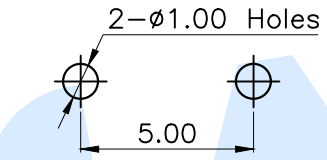
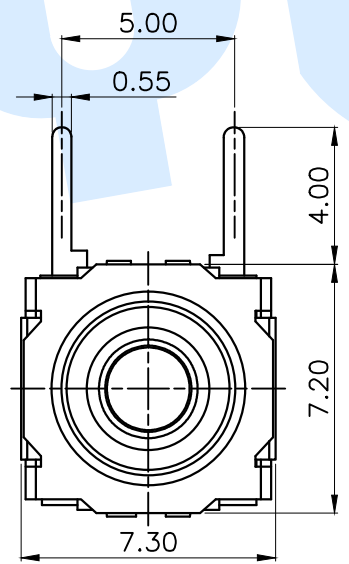


RoHS



PCB Layout (Pattern side)



TOTAL HEIGHT	
CODE	H
A1	5.0

OPERATING FORCE	
CODE	VIGOR
B2	180±30gf
B3	250±30gf

SHRAPNEL	
CODE	MATERIAL/QTY
D2	SUS/1PCS

NO.	Name	Number	Qty	Materil	Remarks
⑤	Terminal	2	2	Phosphor bronze	Silvering
④	Base	1	1	PPA	Black
③	Contact	1	1	SUS	Silver covered
②	Knob	1	1	Silica gel	
①	Cover	1	1	Brass	Tin Plated

YUANDI® Yuandi Electronics Co, Ltd

design	date	name	TACT SWITCHS
Review	date	name	TS-1090A-A□B□-D□
Approved	date	name	

Drawing number: Proportion 1:1 unit mm gage number A4

modify Review Approved Tolerance not specified