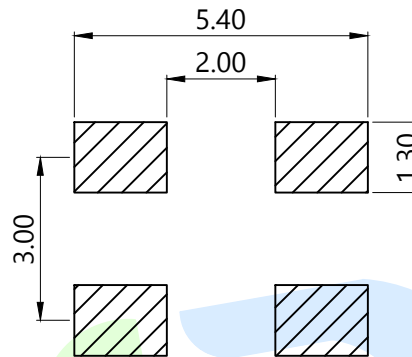
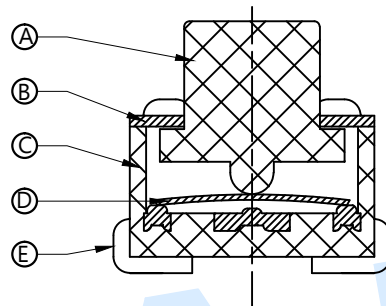
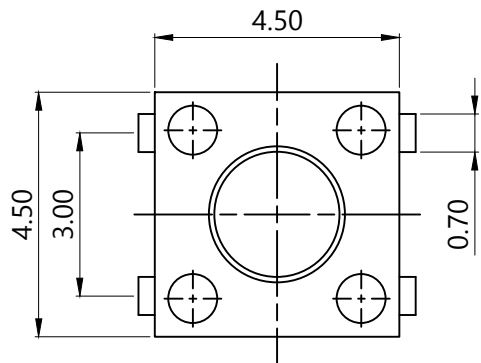


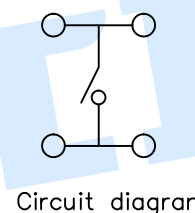
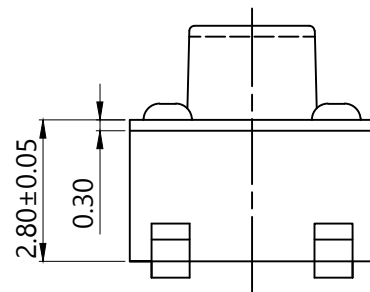
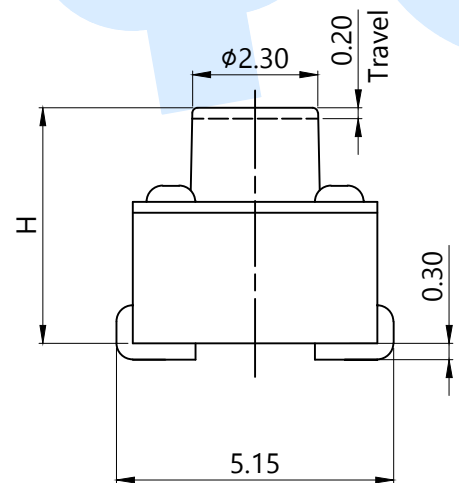
RoHS



PCB Layout(Pattern Side)

SHRAPNEL	
CODE	MATERIAL/QTY
D2	SUS/1PCS
D4	SUS/2PCS

OPERATING FORCE	
CODE	VIGOR
B1	120±30gf
B2	180±30gf
B3	250±30gf



Circuit diagram

TOTAL HEIGHT			
CODE	H	CODE	H
A1	3.8	A8	7.0
A2	4.3	A9	7.5
A3	4.5	A10	8.0
A4	5.0	A11	9.0
A5	5.5	A12	10
A6	6.0		
A7	6.5		

NO.	Name	Number	Qty	Materil	Remarks
E	Terminal		4	Brass	Silvering
D	Reed		1	SUS	Silver covered
C	Base		1	PPA	Black
B	Cover		1	SPCC	Plating Cu Sn
A	Keystoke		1	PPA	Black

**YUANDI®** Yuandi Electronics Co, Ltd

design	date	name	TACT SWITCHS
Review	date	model	TS-1091U-A□B□-D□
Approved	date		

Drawing number: Proportion 1:1 unit mm gage number A4

modify Review Approved

Tolerance not specified