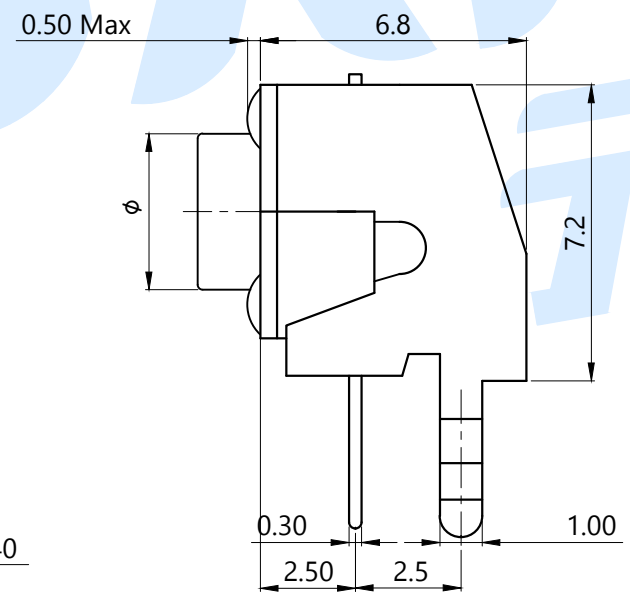
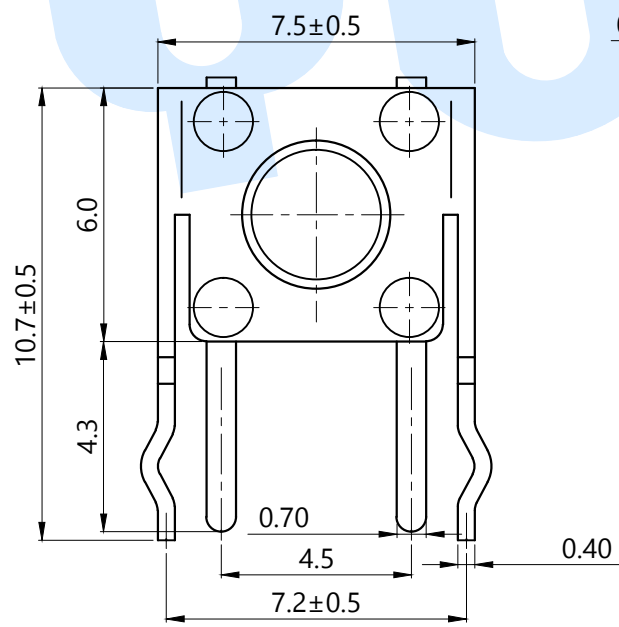
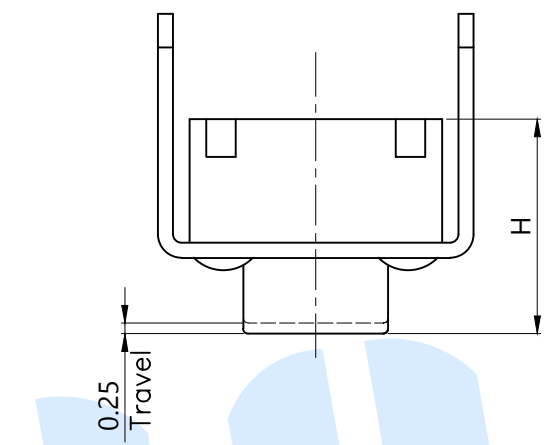
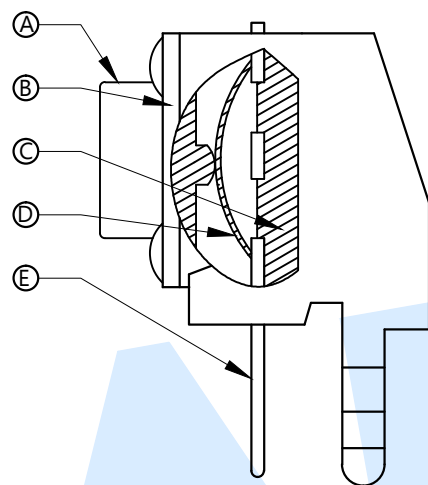
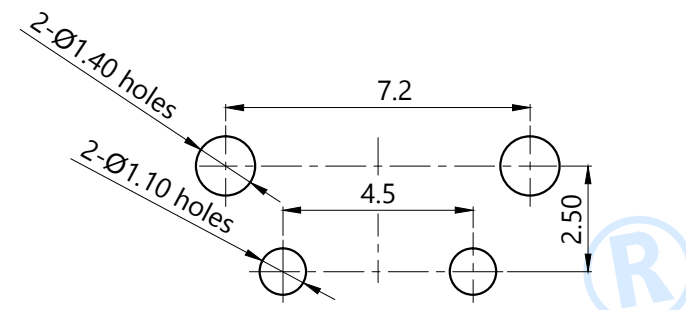
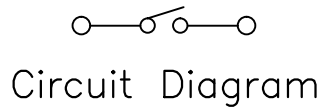


RoHS



SHRAPNEL	
CODE	MATERIAL/QTY
D1	C5210/1PCS
D2	SUS/1PCS

OPERATING FORCE	
CODE	VIGOR
B1	120±30gf
B2	180±30gf
B3	250±30gf

TOTAL HEIGHT		
CODE	H	Ø
A1	4.3	3.5
A2	4.5	3.5
A3	5.0	3.5
A4	5.5	3.5
A5	6.0	3.5
A6	6.5	3.3
A7	7.0	3.3
A8	7.5	3.3
A9	8.0	3.3
A10	8.5	3.3
A11	9.0	3.1
A12	9.5	3.1

NO.	Name	Number	Qty	Materil	Remarks
⑤	Terminal	2		Brass	Silvering
④	Contact	1		Phosphorus copper	Silver covered
③	Base	1		PPA	Black
②	Cover	1		SPCC	Plating Cu Sn
①	Knob	1		Silica gel	Blue

YUANDI® Yuandi Electronics Co, Ltd

design	date	name	TACT SWITCHS
Review	date	model	TS-1093G-A□B□-D□
Approved	date		

Drawing number: Proportion 1:1 unit mm gage number A4

modify Review Approved Tolerance not specified

angle	±2'
10~30	±0.30
5~10	±0.20
~ 5	±0.10