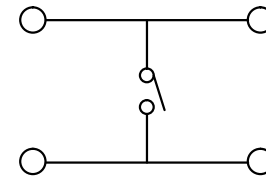
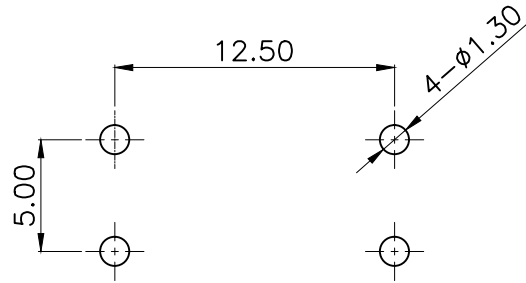
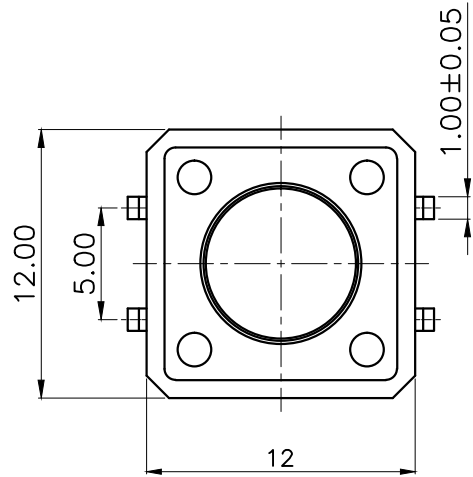


RoHS



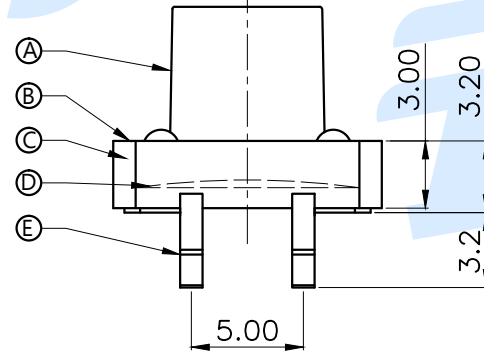
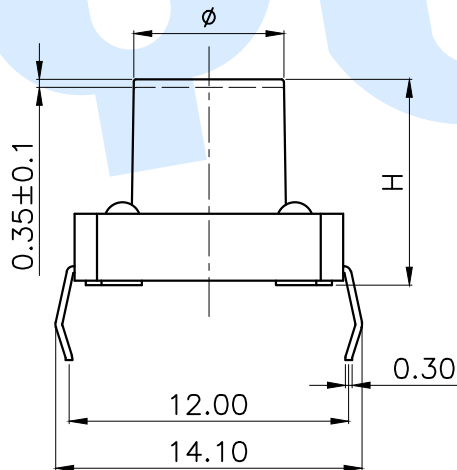
PCB Layout(Pattern side)

Circuit Diagram



SHRAPNEL		OPERATING FORCE	
CODE	MATERIAL/QTY	CODE	VIGOR
D1	C5210/1PCS	B1	120±30gf
D2	SUS/1PCS	B2	180±30gf
		B3	250±30gf

TOTAL HEIGHT					
CODE	H	∅	CODE	H	∅
A1	4.3	6.8	A13	10	6.0
A2	4.5	6.8	A14	11	6.0
A3	5.0	6.8	A15	12	6.0
A4	5.5	6.8	A16	13	6.0
A5	6.0	6.8	A17	14	6.0
A6	6.5	6.7	A18	15	6.0
A7	7.0	6.7	A19	16	6.0
A8	7.5	6.7	A20	17	6.0
A9	8.0	6.7	A21	18	5.8
A10	8.5	6.6	A22	19	5.8
A11	9.0	6.6	A23	20	5.8
A12	9.5	6.6	A24	21	5.8



⑤	Terminal		4	Brass	Silvering
④	Reed		1	Phosphorus copper	Silver covered
③	Base		1	PPA	Black
②	Cover		1	SPCC	Plating Cu Sn
①	Button		1	PPA	Black
NO.	Name	Number	Qty	Materil	Remarks

YUANDI® Yuandi Electronics Co, Ltd

design	date	name	TACT SWITCHS
Review	date	model	TS-1094-A□B□-D□
Approved	date		