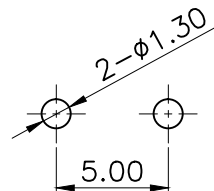
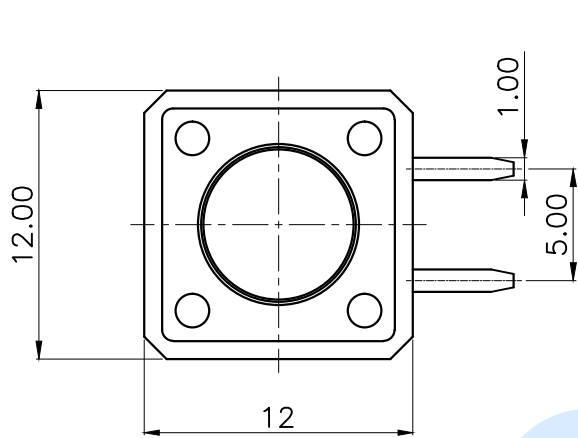


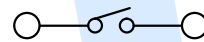
RoHS



PCB Layout(Pattern side)

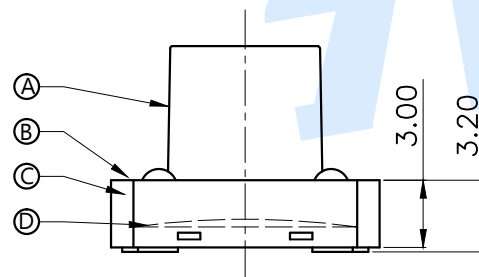
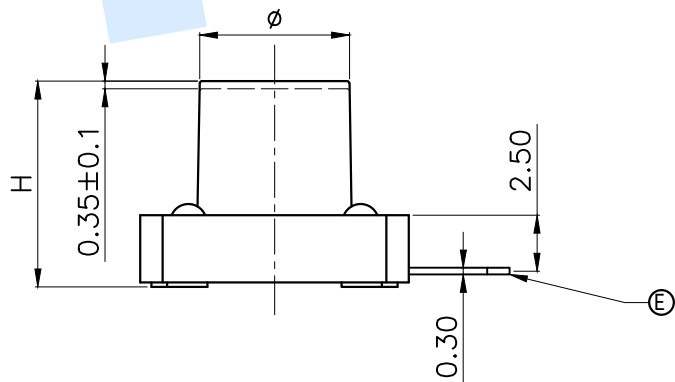
SHRAPNEL	
CODE	MATERIAL/QTY
D1	C5210/1PCS
D2	SUS/1PCS

OPERATING FORCE	
CODE	VIGOR
B1	120±30gf
B2	180±30gf
B3	250±30gf



Circuit Diagram

TOTAL HEIGHT					
CODE	H	φ	CODE	H	φ
A1	4.3	6.8	A13	10	6.0
A2	4.5	6.8	A14	11	6.0
A3	5.0	6.8	A15	12	6.0
A4	5.5	6.8	A16	13	6.0
A5	6.0	6.8	A17	14	6.0
A6	6.5	6.7	A18	15	6.0
A7	7.0	6.7	A19	16	6.0
A8	7.5	6.7	A20	17	6.0
A9	8.0	6.7	A21	18	5.8
A10	8.5	6.6	A22	19	5.8
A11	9.0	6.6	A23	20	5.8
A12	9.5	6.6	A24	21	5.8



NO.	Name	Number	Qty	Material	Remarks
⑤	Terminal		2	Brass	Silvering
④	Reed		1	Phosphorus copper	Silver covered
③	Base		1	PPA	Black
②	Cover		1	SPCC	Plating Cu Sn
①	Button		1	PPA	Black

YUANDI® Yuandi Electronics Co, Ltd

design	date	name	TACT SWITCHS
Review	date	name	TS-1094A-A□B□-D□
Approved	date	name	

Drawing number: Proportion 1:1 unit mm gage number A4

modify Review Approved Tolerance not specified

angle	±2'
10~30	±0.30
5~10	±0.20
~ 5	±0.10