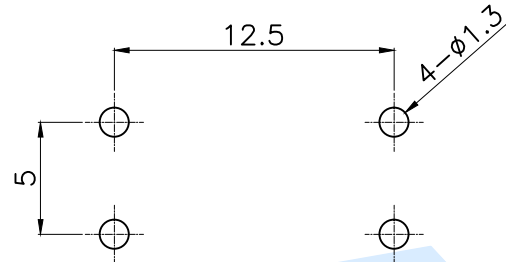
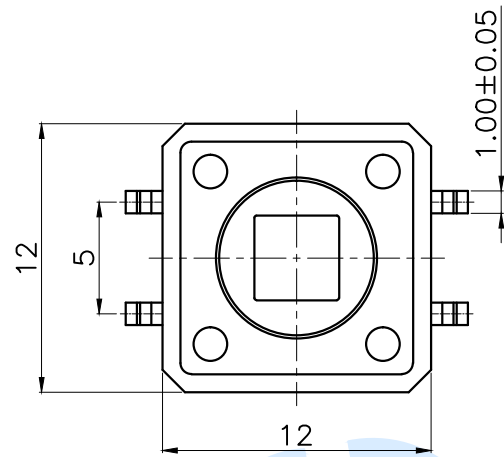
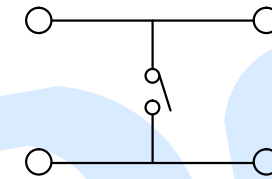


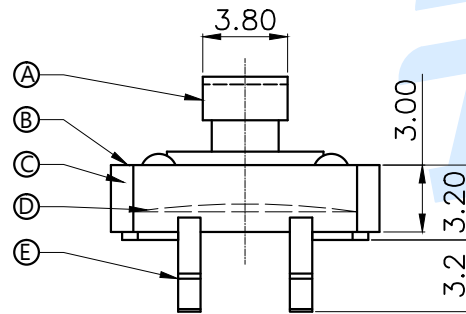
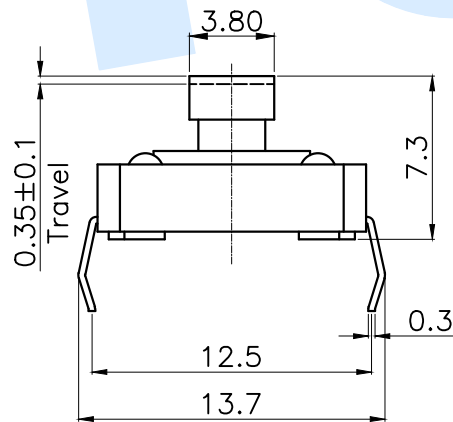
RoHS



PCB Layout(Pattern side)



Circuit Diagram



| SHRAPNEL | |
|----------|--------------|
| CODE | MATERIAL/QTY |
| D1 | C5210/1PCS |
| D2 | SUS/1PCS |

| OPERATING FORCE | |
|-----------------|----------|
| CODE | VIGOR |
| B1 | 120±30gf |
| B2 | 180±30gf |
| B3 | 250±30gf |

| NO. | Name | Number | Qty | Material | Remarks |
|-----|----------|--------|-----|-------------------|----------------|
| ⑤ | Terminal | | 4 | Brass | Silvering |
| ④ | Reed | | 1 | Phosphorus copper | Silver covered |
| ③ | Base | | 1 | PPA | Black |
| ② | Cover | | 1 | SPCC | Plating Cu Sn |
| ① | Button | | 1 | PPA | Black |

YUANDI® Yuandi Electronics Co, Ltd

| design | date | name | TACT SWITCHS |
|----------|------|-------|---------------|
| Review | date | model | TS-1094T-B□D□ |
| Approved | date | | |

Drawing number: Proportion 1:1 unit mm gage number A4

modify Review Approved Tolerance not specified

| | |
|-------|-------|
| angle | ±2' |
| 10~30 | ±0.30 |
| 5~10 | ±0.20 |
| ~ 5 | ±0.10 |