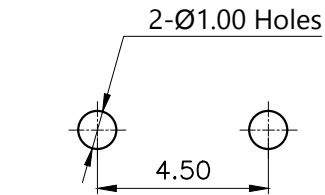
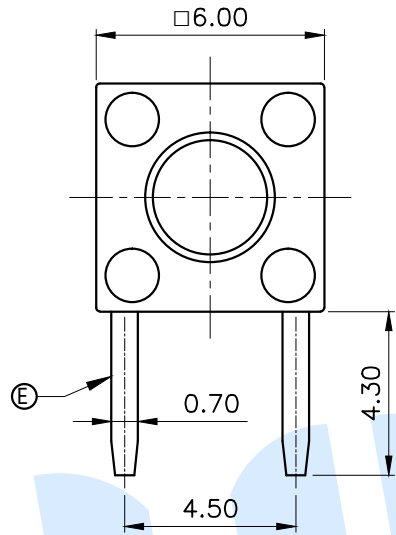
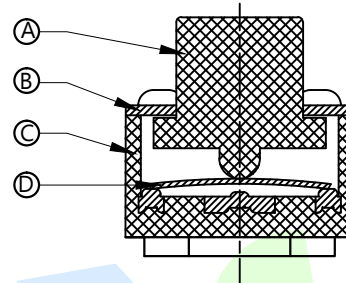


RoHS

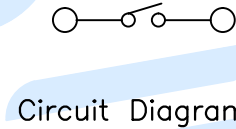


PCB Layout(Pattern side)



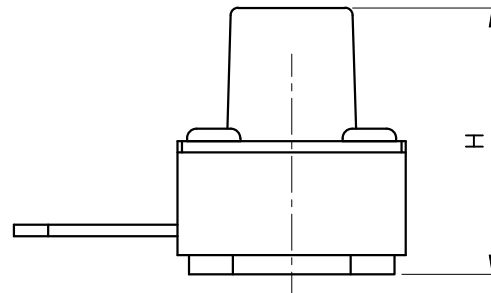
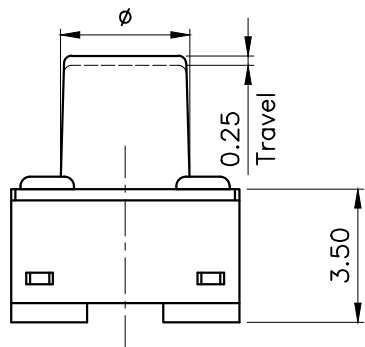
| SHRAPNEL |              |
|----------|--------------|
| CODE     | MATERIAL/QTY |
| D1       | C5210/1PCS   |
| D2       | SUS/1PCS     |

| OPERATING FORCE |          |
|-----------------|----------|
| CODE            | VIGOR    |
| B1              | 120±30gf |
| B2              | 180±30gf |
| B3              | 250±30gf |



Circuit Diagram

| TOTAL HEIGHT |      |     |      |      |     |
|--------------|------|-----|------|------|-----|
| CODE         | H    | φ   | CODE | H    | φ   |
| A1           | 4.3  | 3.5 | A14  | 11   | 3.0 |
| A2           | 4.5  | 3.5 | A145 | 11.5 | 3.0 |
| A3           | 5.0  | 3.5 | A15  | 12   | 3.0 |
| A4           | 5.5  | 3.5 | A155 | 12.5 | 3.0 |
| A5           | 6.0  | 3.5 | A16  | 13   | 3.0 |
| A6           | 6.5  | 3.3 | A165 | 13.5 | 3.0 |
| A7           | 7.0  | 3.3 | A17  | 14   | 3.0 |
| A8           | 7.5  | 3.3 | A18  | 15   | 3.0 |
| A9           | 8.0  | 3.3 | A19  | 16   | 3.0 |
| A10          | 8.5  | 3.3 | A20  | 17   | 3.0 |
| A11          | 9.0  | 3.1 | A21  | 18   | 2.9 |
| A12          | 9.5  | 3.1 | A22  | 19   | 2.9 |
| A13          | 10   | 3.1 | A23  | 20   | 2.9 |
| A135         | 10.5 | 3.0 | A24  | 21   | 2.9 |



| Ⓔ   | Terminal |        | 2   | Brass             | Silvering      |
|-----|----------|--------|-----|-------------------|----------------|
| Ⓓ   | Reed     |        | 1   | Phosphorus copper | Silver covered |
| Ⓒ   | Base     |        | 1   | PPA               | Black          |
| Ⓑ   | Cover    |        | 1   | SPCC              | Plating Cu Sn  |
| Ⓐ   | Keystoke |        | 1   | PPA               | Black          |
| NO. | Name     | Number | Qty | Materil           | Remarks        |

YUANDI® Yuandi Electronics Co, Ltd

|          |      |      |                  |
|----------|------|------|------------------|
| design   | date | name | TACT SWITCHS     |
| Review   | date | name | TS-1095A-A□B□-D□ |
| Approved | date | name |                  |

|        |        |                 |                         |             |                  |
|--------|--------|-----------------|-------------------------|-------------|------------------|
| angle  | ±2'    | design          | date                    | name        | TACT SWITCHS     |
| 10~30  | ±0.30  | Review          | date                    | name        | TS-1095A-A□B□-D□ |
| 5~10   | ±0.20  | Approved        | date                    | name        |                  |
| ~ 5    | ±0.10  | Drawing number: |                         |             |                  |
| modify | Review | Approved        | Tolerance not specified | Proportion  | 1:1              |
|        |        |                 |                         | unit        | mm               |
|        |        |                 |                         | gape number | A4               |