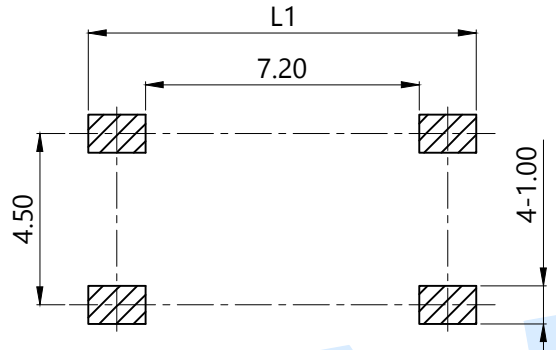
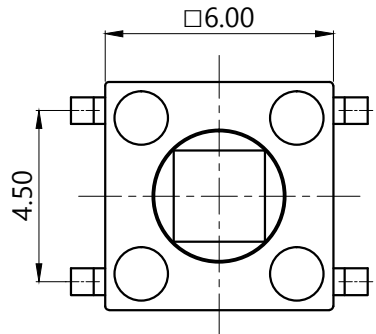
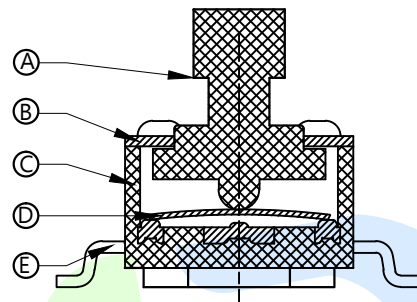


RoHS

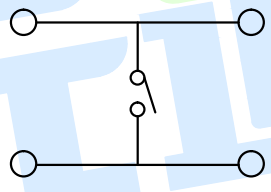
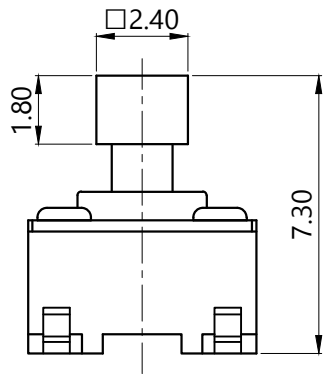
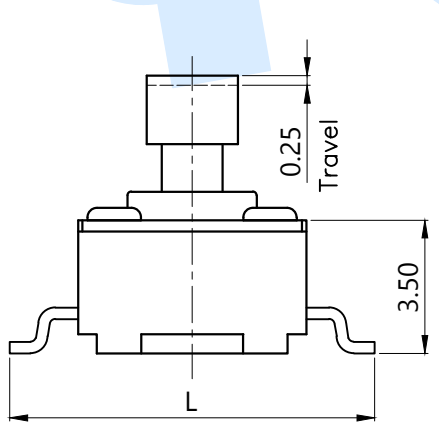


PCB Layout(Pattern side)



SHRAPNEL	
CODE	MATERIAL/QTY
D1	C5210/1PCS
D2	SUS/1PCS

FOOT PITCH		
CODE	L	L1
C1	8.0	10
C2	8.5	11
C3	9.0	11
C4	9.5	12



Circuit Diagram

OPERATING FORCE	
CODE	VIGOR
B1	120±30gf
B2	180±30gf
B3	250±30gf

NO.	Name	Number	Qty	Materil	Remarks
⑤	Terminal		4	Brass	Silvering
④	Reed		1	SUS	Silver covered
③	Base		1	PPA	Black
②	Cover		1	SPCC	Plating Cu Sn
①	Keystoke		1	PPA	Black

YUANDI® Yuandi Electronics Co, Ltd

							angle	±2'		design	date		name	TACT SWITCHS		
							10~30	±0.30		Review	date		model	TS-1095TS-B□C□-D□		
							5~10	±0.20		Approved	date					
							~ 5	±0.10		Drawing number:						
							modify	Review	Approved	Tolerance not specified	Proportion	1:1	unit	mm	gape number	A4