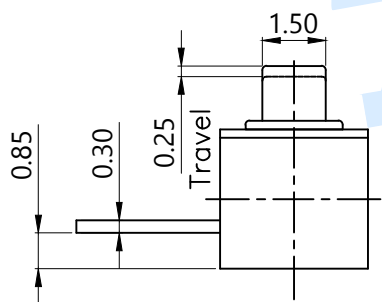
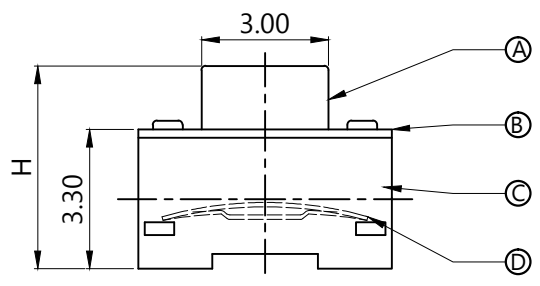
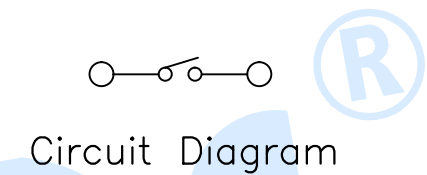
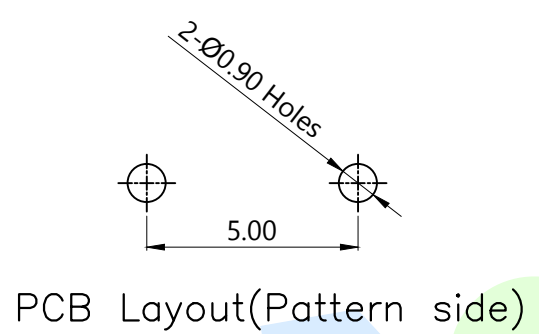
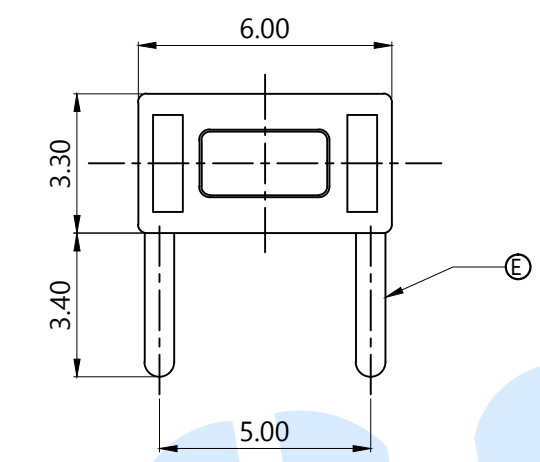


RoHS



OPERATING FORCE	
CODE	VIGOR
B2	180±30gf
B3	250±30gf

SHRAPNEL	
CODE	MATERIAL/QTY
D2	SUS/1PCS
D4	SUS/2PCS

TOTAL HEIGHT			
CODE	H	CODE	H
A1	4.3	A4	6.0
A45	4.5	A5	6.5
A2	5.0	A6	7.0
A3	5.5	A7	8.0

(E)	Terminal		2	Brass	Silvering
(D)	Contact		1	SUS	Silver covered
(C)	Base		1	PPA	Black
(B)	Cover		1	SPCC	Plating Cu Sn
(A)	Knob		1	PPA	White
NO.	Name	Number	Qty	Materil	Remarks

YUANDI® Yuandi Electronics Co, Ltd

design	date	name	TACT SWITCHS
Review	date	model	TS-1096B-A□B□-D□
Approved	date		

Drawing number: Proportion 1:1 unit mm gage number A4

					angle	±2'
					10~30	±0.30
					5~10	±0.20
					~ 5	±0.10
	modify	Review	Approved	Tolerance not specified	Proportion	1:1