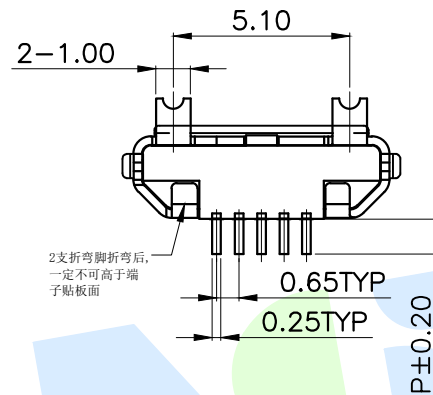
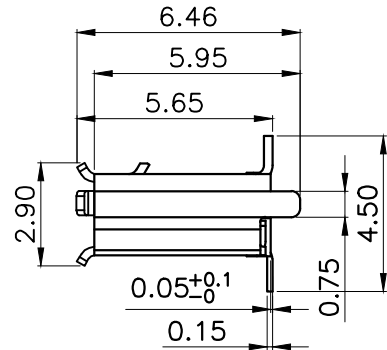
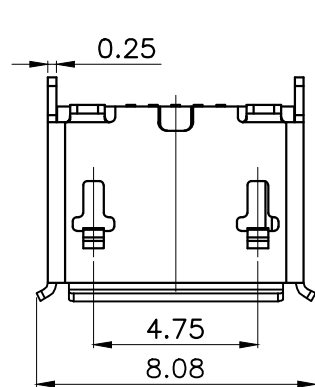
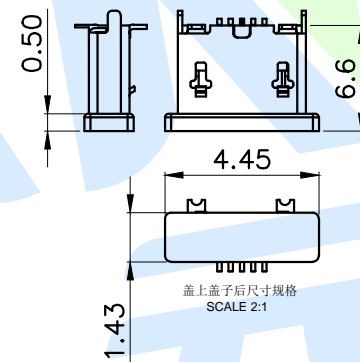
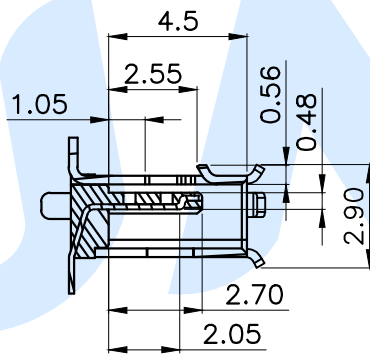
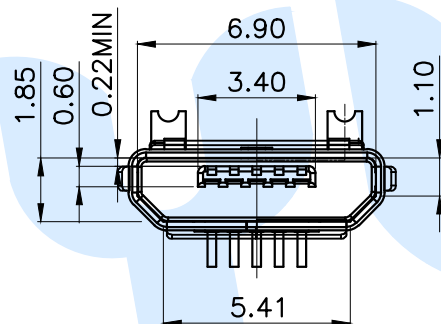


RoHS



Pin length	
CODE	P
P2	1.00



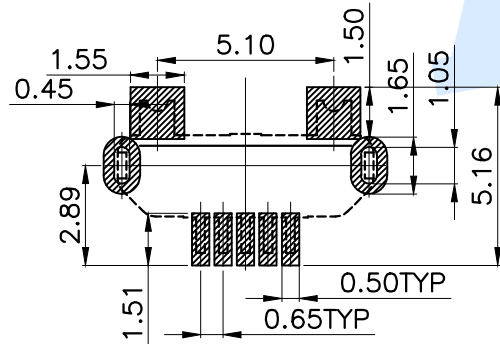
规格说明: Specifications

电气特性: Electrical

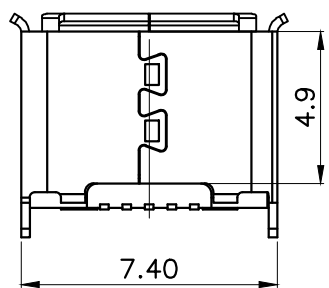
1. 额定电流: Current Rating
1.0A/contact terminal
2. 额定电压: Voltage Rating
30V DC
3. 接触阻抗: Contact Resistance
50 milliohms Max
4. 耐电压: Dielectric Withstanding Voitage
AC 100V/1MINUTE.
5. 绝缘阻抗: Lnsulation Resistance
100MEGA Ohms Min

物理性能: Mechanical

1. 插拔力: Connector Mate and Unmate Force
Insertion force: 3.57kgf(MAX)
Extraction force: 1.02kgf(Min). 0.81~2.05kgf(Min).
- 端子保持力: Terminal Retenion
0.5kgf(MIN)



Recommended P.C.B Layout



NO.	Name	Number	Qty	Materil	Remarks
◎	Terminal		5	Brass	Au Plating
ⓑ	Shee		1	SUS	Nickel Plating
Ⓐ	Base		1	LCP	Black

YUANDI® Yuandi Electronics Co, Ltd

design	date	name	USB CONNECTOR
Review	date	model	MICRO-21A-P□-T3
Approved	date		

Drawing number: Proportion 1:1 unit mm gage number A4

angle	±2'
10~30	±0.30
5~10	±0.20
~ 5	±0.10

modify Review Approved Tolerance not specified