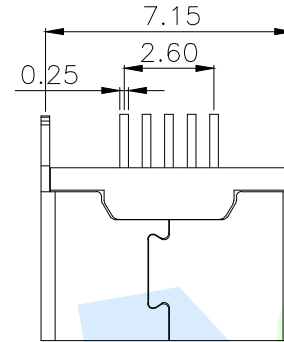
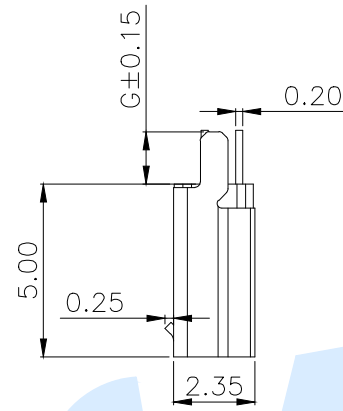
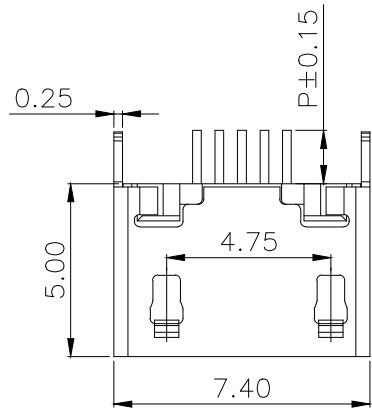


RoHS

Pin	Define feet
1	VBUS
2	D-
3	D+
4	ID
5	GND

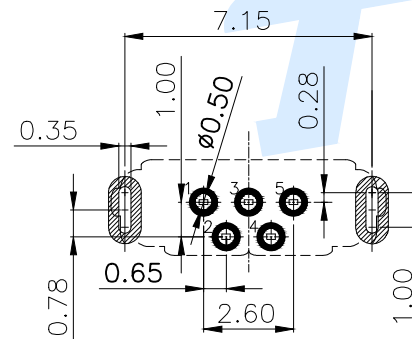
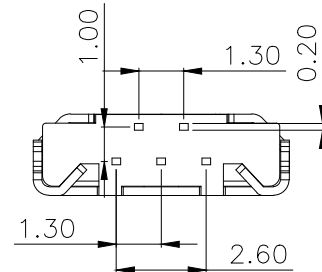
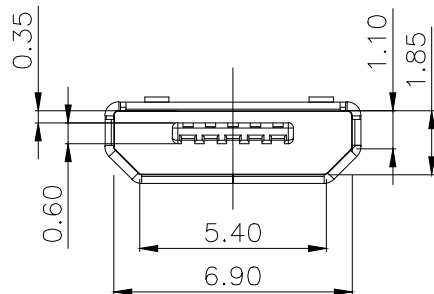


Pin length		Shell foot length	
CODE	P	CODE	G
P3	1.50	G3	1.50
P4	2.00	G4	2.00

规格说明:Specifications

电气特性:Electrical

- 1.额定电流:Current Rating  
1.0A/contact terminal
  - 2.额定电压:Voltage Rating  
30V DC
  - 3.接触阻抗>Contact Resistance  
50 milliohms Max
  - 4.耐电压:Dielectric Withstanding Voitage  
AC 100V/1MINUTE.
  - 5.绝缘阻抗:Insulation Resistance  
100MEGA Ohms Min
- 物理性能:Mechanical
- 1.插拔力:Connector Mate and Unmate Force  
Insertion force:3.57kgf(MAX)  
Extraction force:1.02kgf(Min).0.81~2.05kgf(Min).
- 端子保持力:Terminal Retention  
0.5kgf(MIN)



Recommended P.C.B Layout

NO.	Name	Number	Qty	Materil	Remarks
◎	Terminal		5	Brass	Au Plating
ⓑ	Shee		1	SUS	Nickel Plating
Ⓐ	Base		1	LCP	Black

YUANDI® Yuandi Electronics Co, Ltd

design	date	name	USB CONNECTOR
Review	date	model	MICRO-06-G□P□-T3
Approved	date		

Drawing number: Proportion 1:1 unit mm gage number A4

modify Review Approved Tolerance not specified