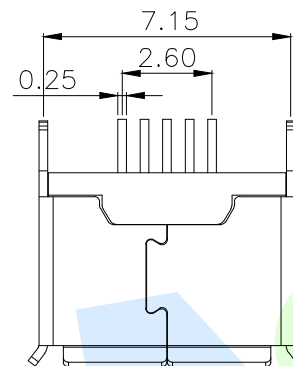
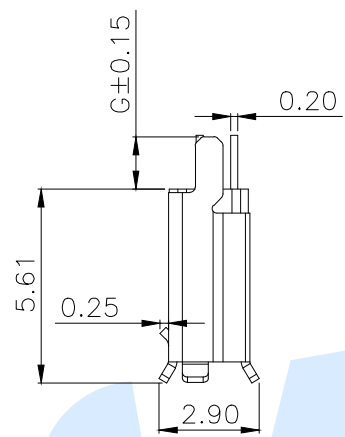
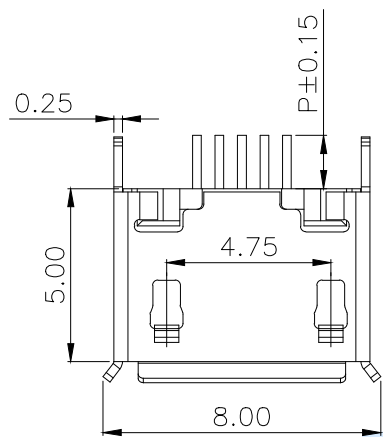


RoHS



Pin length		Shell foot length	
CODE	P	CODE	G
P3	1.50	G3	1.50
P4	2.00	G4	2.00

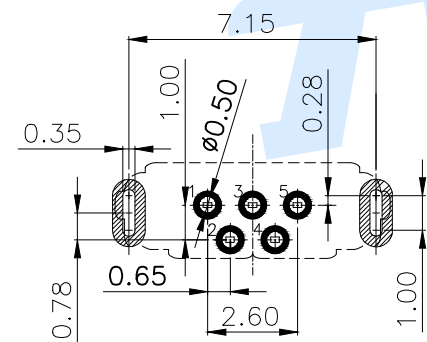
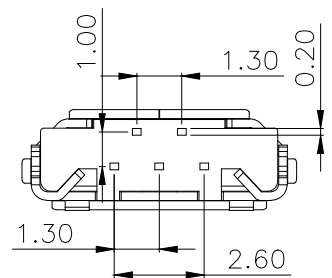
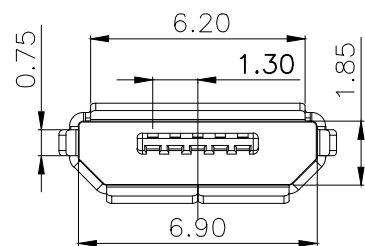
规格说明:Specifications

电气特性:Electrical

- 1.额定电流:Current Rating
1.0A/contact terminal
- 2.额定电压:Voltage Rating
30V DC
- 3.接触阻抗>Contact Resistance
50 milliohms Max
- 4.耐电压:Dielectric Withstanding Voitage
AC 100V/1MINUTE.
- 5.绝缘阻抗:Insulation Resistance
100MEGA Ohms Min

物理性能:Mechanical

- 1.插拔力:Connector Mate and Unmate Force
Insertion force:3.57kgf(MAX)
Extraction force:1.02kgf(Min).0.81~2.05kgf(Min).
- 端子保持力:Terminal Retention
0.5kgf(MIN)



Recommended P.C.B Layout

NO.	Name	Number	Qty	Materil	Remarks
Ⓒ	Terminal		5	Brass	Au Plating
Ⓑ	Shee		1	SUS	Nickel Plating
Ⓐ	Base		1	LCP	Black

YUANDI® Yuandi Electronics Co, Ltd
元迪

design	date	name	USB CONNECTOR
Review	date	model	MICRO-05-G□P□-T3
Approved	date		

Drawing number: Proportion 1:1 unit mm gage number A4

modify Review Approved Tolerance not specified

angle	±2'
10~30	±0.30
5~10	±0.20
~ 5	±0.10