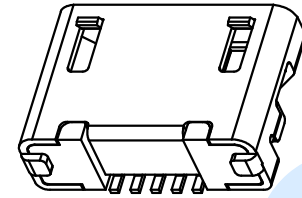
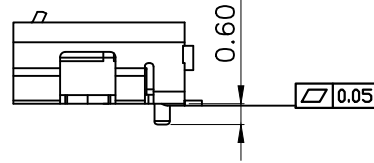
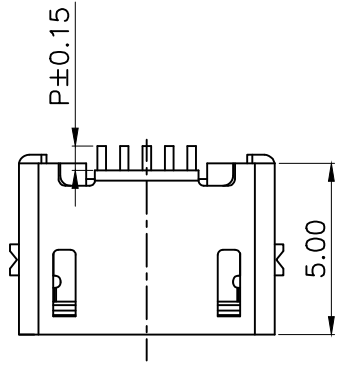


RoHS



Pin length	
CODE	P
P1	0.80
P2	1.00
P3	1.25

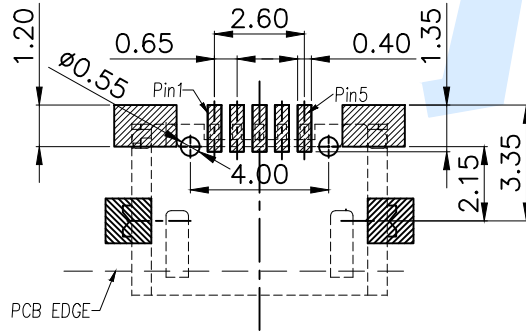
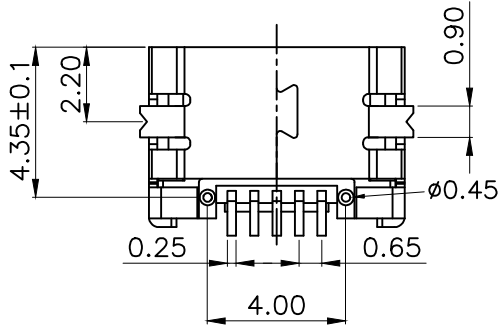
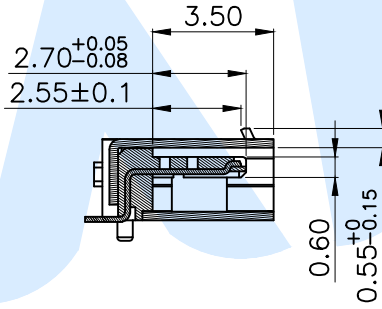
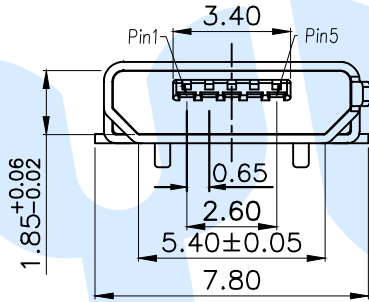
规格说明: Specifications

电气特性: Electrical

1. 额定电流: Current Rating  
1.0A/contact terminal
2. 额定电压: Voltage Rating  
30V DC
3. 接触阻抗: Contact Resistance  
50 milliohms Max
4. 耐电压: Dielectric Withstanding Voltage  
AC 100V/1MINUTE.
5. 绝缘阻抗: Insulation Resistance  
100MEGA Ohms Min

物理性能: Mechanical

1. 插拔力: Connector Mate and Unmate Force  
Insertion force: 3.57kgf(MAX)  
Extraction force: 1.02kgf(Min), 0.81~2.05kgf(Min).
- 端子保持力: Terminal Retention  
0.5kgf(MIN)



Recommended P.C.B Layout

NO.	Name	Number	Qty	Materil	Remarks
①	Terminal		5	Brass	Au Plating
②	Shee		1	Brass	Tin Plating
③	Base		1	LCP	Black

YUANDI® Yuandi Electronics Co, Ltd

design	date	name	USB CONNECTOR
Review	date	model	MICRO-04-P□-A1T2
Approved	date		

Drawing number: Proportion 1:1 unit mm gage number A4

modify Review Approved Tolerance not specified

angle	±2'
10~30	±0.30
5~10	±0.20
~ 5	±0.10