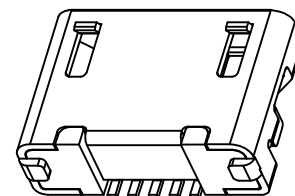
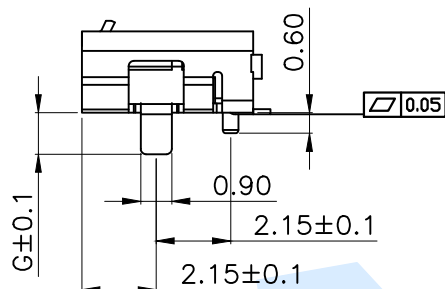
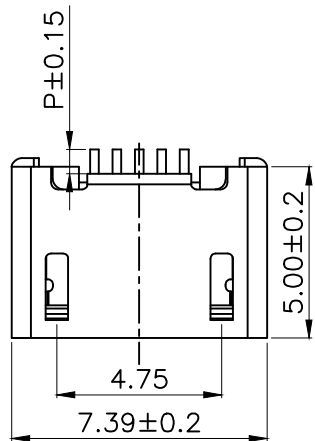


RoHS



Pin length		Shell foot length	
CODE	P	CODE	G
P1	0.80	G1	0.80
P2	1.00	G2	1.00
P3	1.25	G3	1.25
		G4	1.65

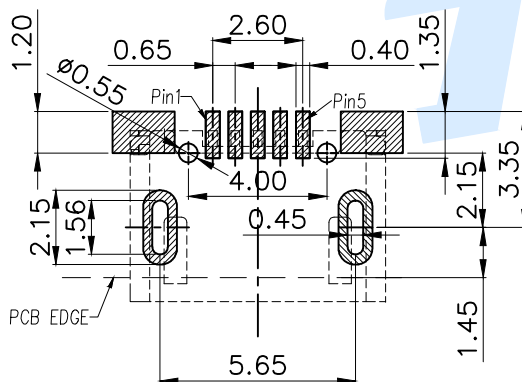
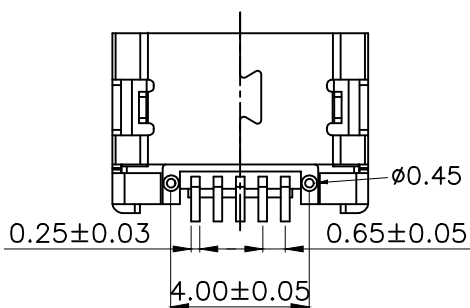
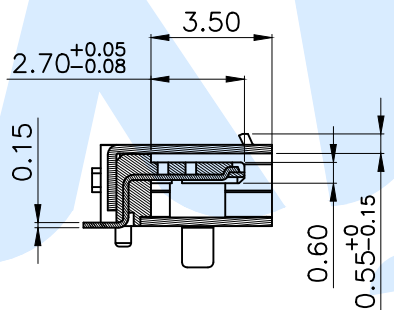
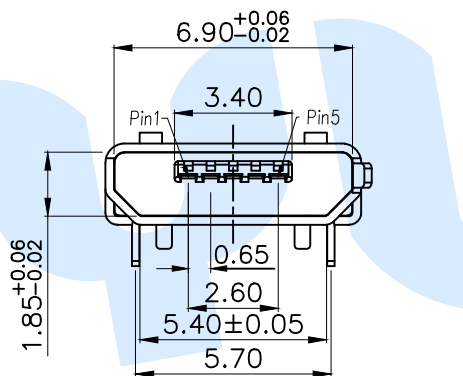
规格说明: Specifications

电气特性: Electrical

1. 额定电流: Current Rating  
1.0A/contact terminal
2. 额定电压: Voltage Rating  
30V DC
3. 接触阻抗: Contact Resistance  
50 milliohms Max
4. 耐电压: Dielectric Withstanding Voltage  
AC 100V/1MINUTE.
5. 绝缘阻抗: Insulation Resistance  
100MEGA Ohms Min

物理性能: Mechanical

1. 插拔力: Connector Mate and Unmate Force  
Insertion force: 3.57kgf(MAX)  
Extraction force: 1.02kgf(Min). 0.81~2.05kgf(Min).
- 端子保持力: Terminal Retention  
0.5kgf(MIN)



Recommended P.C.B Layout

◎	Terminal		5	Brass	Au Plating
Ⓑ	Shee		1	Brass	Tin Plating
Ⓐ	Base		1	LCP	Black
NO.	Name	Number	Qty	Materil	Remarks

YUANDI® Yuandi Electronics Co, Ltd

design	date	name	USB CONNECTOR
Review	date	model	MICRO-02-G□P□-A1T2
Approved	date		

modify	Review	Approved	Tolerance not specified	Proportion	1:1	unit	mm	gaga number	A4
--------	--------	----------	-------------------------	------------	-----	------	----	-------------	----

angle	±2'
10~30	±0.30
5~10	±0.20
~ 5	±0.10