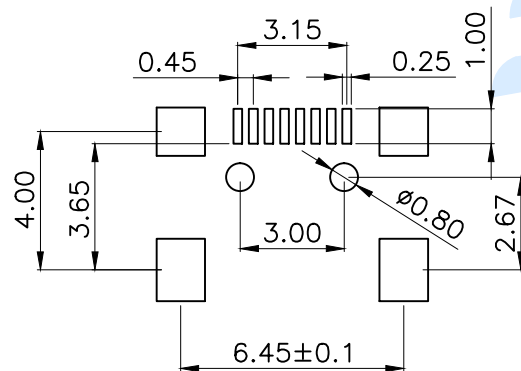
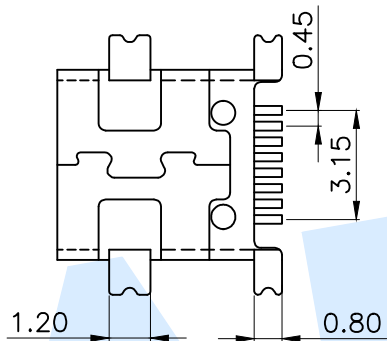
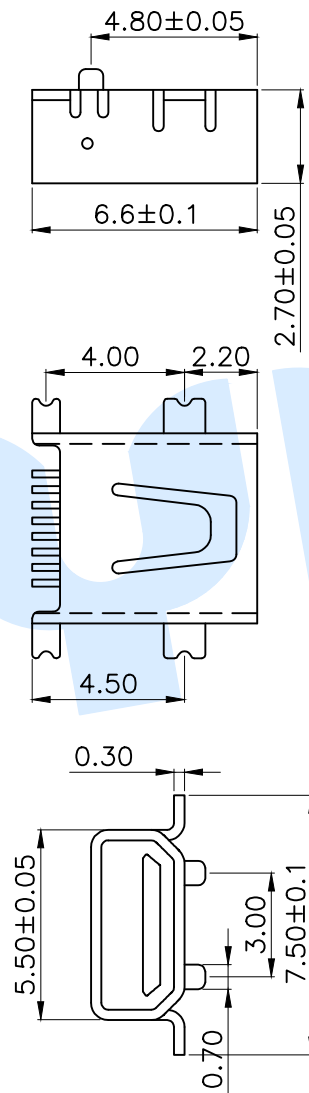


RoHS



Recommended P.C.B Layout

规格说明: Specifications

电气特性: Electrical

1. 额定电流: Current Rating
1.0A/contact terminal
2. 额定电压: Voltage Rating
30V DC
3. 接触阻抗: Contact Resistance
50 milliohms Max
4. 耐电压: Dielectric Withstanding Voltage
AC 300V/1MINUTE.
5. 绝缘阻抗: Insulation Resistance
100MEGA Ohms Min

物理性能: Mechanical

1. 插拔力: Connector Mate and Unmate Force
Insertion force: 35N(3.57kgf) MAX
Extraction force: 10-35N(1.02-3.57kgf) Min
- 端子保持力: Terminal Retention
0.5kgf(MIN)
- 耐久性: Durability
3000cycles. EXTRACTLON FORCE:
10-35N(1.02-3.57kgf)

◎	Terminal		8	Phosphor Bronze	Au plating
◎	Shee		1	Brass	Au plating
◎	Base		1	LCP	Black
NO.	Name	Number	Qty	Materil	Remarks

YUANDI® Yuandi Electronics Co, Ltd
元迪

design	date	name	USB CONNECTOR
Review	date	model	MINI-03S-A1T2
Approved	date		

Drawing number: Proportion 1:1 unit mm gage number A4

modify Review Approved Tolerance not specified

angle	$\pm 2'$
10~30	± 0.30
5~10	± 0.20
~ 5	± 0.10