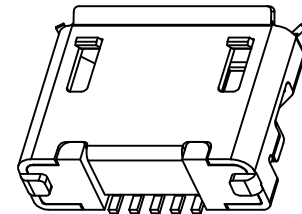
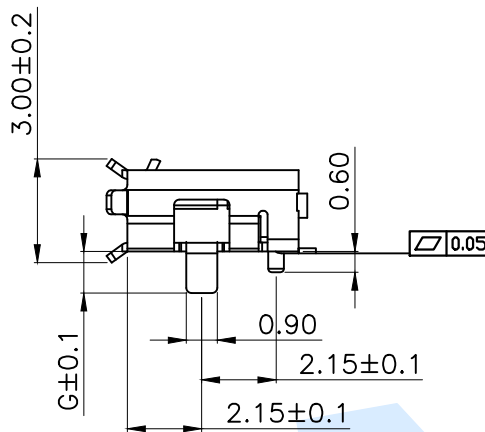
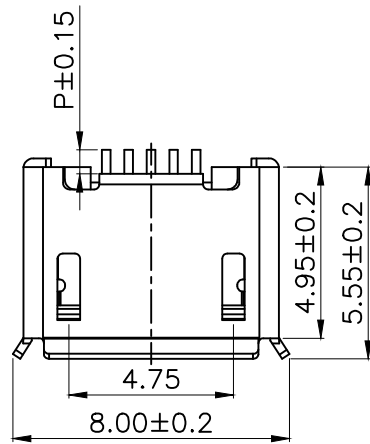


RoHS



Pin length		Shell foot length	
CODE	P	CODE	G
P1	0.80	G1	0.80
P2	1.00	G2	1.00
P3	1.25	G3	1.25
		G4	1.65

规格说明:Specifications

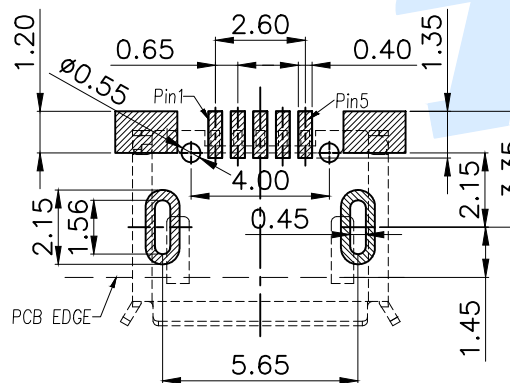
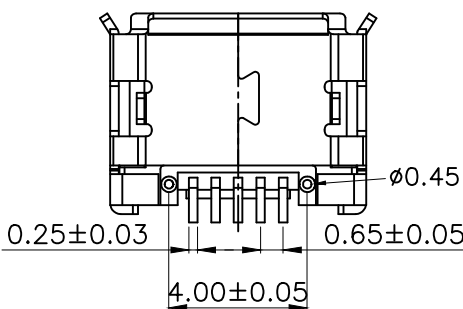
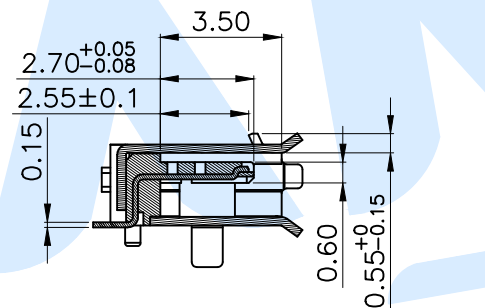
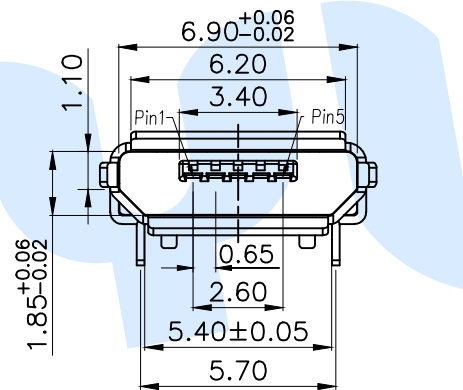
电气特性:Electrical

- 1.额定电流:Current Rating  
1.0A/contact terminal
- 2.额定电压:Voltage Rating  
30V DC
- 3.接触阻抗>Contact Resistance  
50 milliohms Max
- 4.耐电压:Dielectric Withstanding Voitage  
AC 100V/1MINUTE.
- 5.绝缘阻抗:Insulation Resistance  
100MEGA Ohms Min

物理性能:Mechanical

- 1.插拔力:Connector Mate and Unmate Force  
Insertion force:3.57kgf(MAX)  
Extraction force:1.02kgf(Min).0.81~2.05kgf(Min).

端子保持力:Terminal Retention  
0.5kgf(MIN)



Recommended P.C.B Layout

NO.	Name	Number	Qty	Materil	Remarks
①	Terminal		5	Brass	Au Plating
②	Shee		1	Brass	Tin Plating
③	Base		1	LCP	Black

YUANDI® Yuandi Electronics Co, Ltd

design	date	name	model
Review	date	USB CONNECTOR	
Approved	date		MICRO-01-G□P□-A1T2

Drawing number: Proportion 1:1 unit mm gage number A4

modify Review Approved

Tolerance not specified

Proportion

1:1

unit

mm

gage number

A4