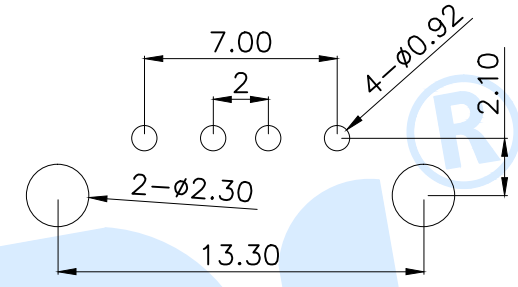
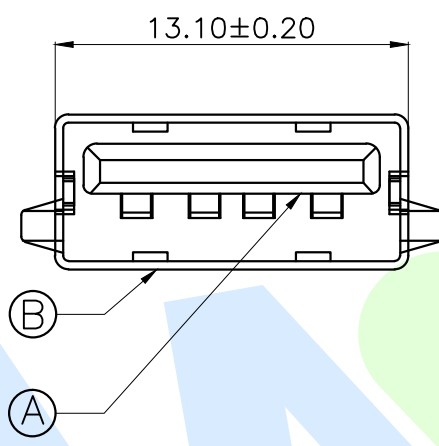
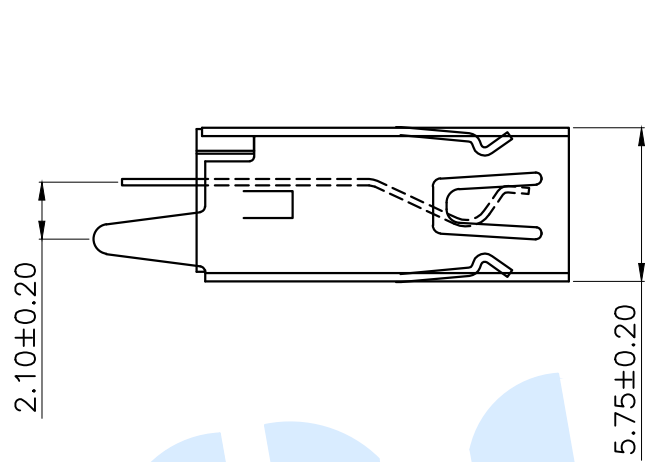


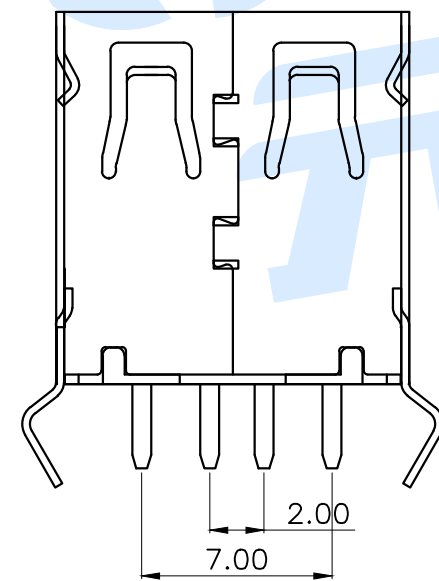
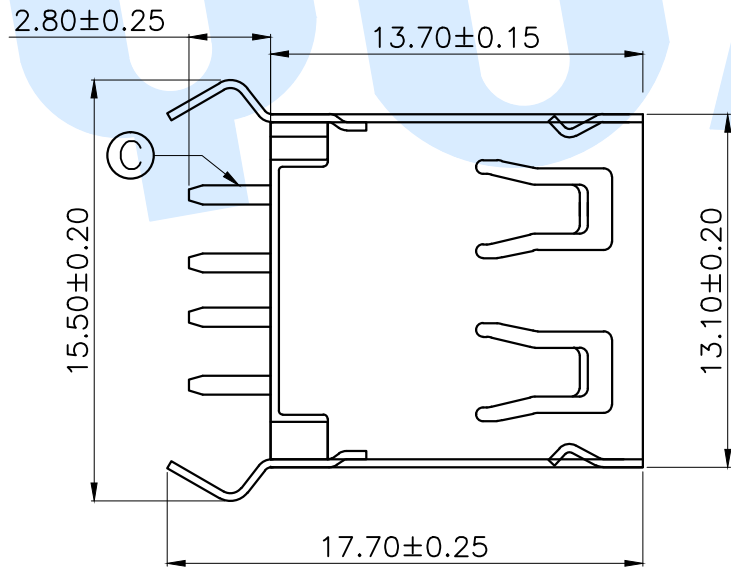
RoHS



P.C.B Layout(Pattern side)

规格说明:Specifications
电气特性:Electrical

- 1.额定电流:Current Rating
1.5A/contact terminal
 - 2.额定电压:Voltage Rating
30V DC
 - 3.接触阻抗>Contact Resistance
50 milliohms Max
 - 4.耐电压:Dielectric Withstanding Voltage
AC 500V/1MINUTE.
 - 5.绝缘阻抗:Insulation Resistance
1000MEGA Ohms Min
- 物理性能:Mechanical
- 1.插拔力:Cnnektor Mate and Unmate Force
Insertion force:35N(3.57kgf)MAX
Extraction force:10-35N(1.02-3.57kgf)Min
- 端子保持力:Terminal Retenion
1.0kgf(MIN)
- 耐久性:Durability
3000cycles.EXTRACTLON FORCE:
10-35N(1.02-3.57kgf)



Ⓒ	Terminal		4	Brass	Ag Plating
Ⓑ	Shell		1	SPCC	Ni Plating
Ⓐ	Base		1	PBT+30%GF	White/Black
NO.	Name	Number	Qty	Materil	Remarks

YUANDI® Yuandi Electronics Co, Ltd
元迪

design	date	name	USB CONNECTOR
Review	date	model	USB180-02-T1-W
Approved	date		

Drawing number: Proportion 1:1 unit mm gage number A4

							angle	±2'
							10~30	±0.30
							5~10	±0.20
							~ 5	±0.10
						modify	Review	Approved
							Tolerance not specified	Proportion