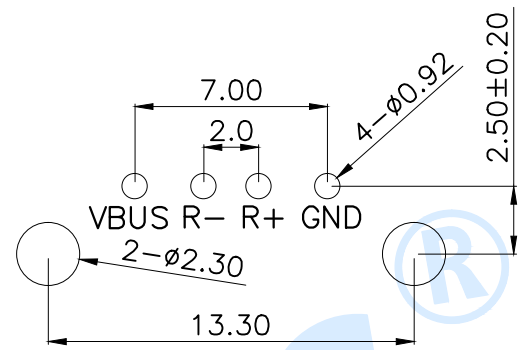
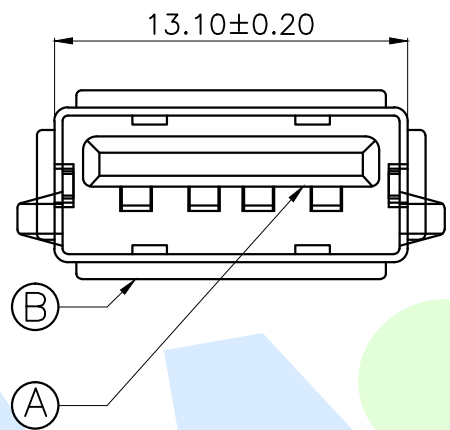
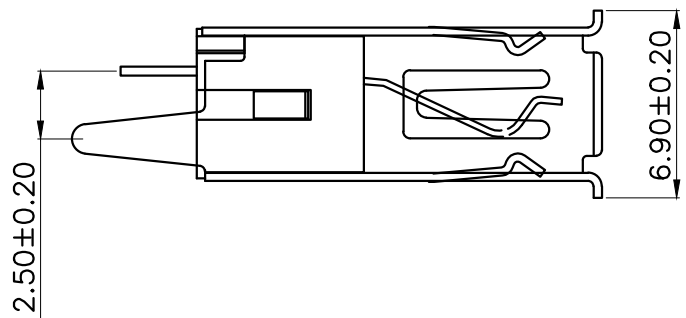
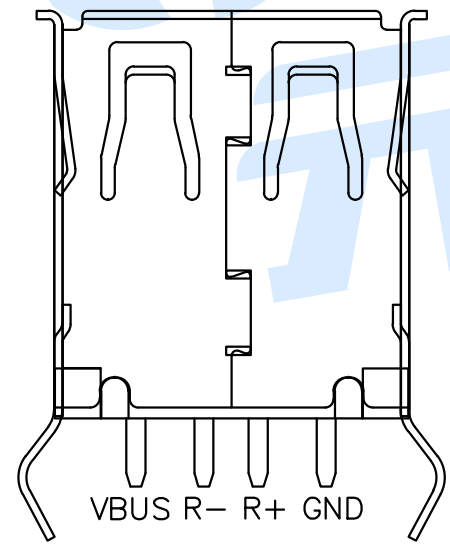
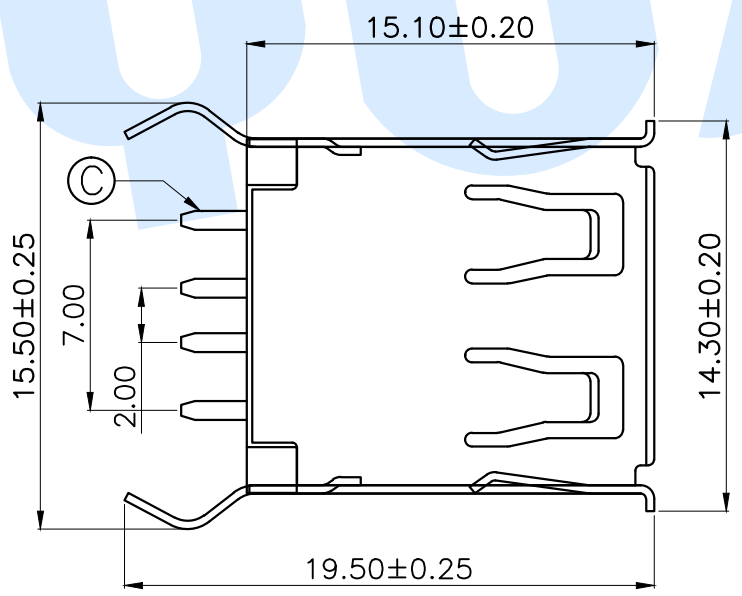


RoHS



P.C.B Layout(Pattern side)



规格说明:Specifications
电气特性:Electrical

- 1.额定电流:Current Rating
1.5A/contact terminal
 - 2.额定电压:Voltage Rating
30V DC
 - 3.接触阻抗>Contact Resistance
50 milliohms Max
 - 4.耐电压:Dielectric Withstanding Voltage
AC 500V/1MINUTE.
 - 5.绝缘阻抗:Insulation Resistance
1000MEGA Ohms Min
- 物理性能:Mechanical
- 1.插拔力:Cnnektor Mate and Unmate Force
Insertion force:35N(3.57kgf)MAX
Extraction force:10-35N(1.02-3.57kgf)Min
- 端子保持力:Terminal Retenion
1.0kgf(MIN)
- 耐久性:Durability
3000cycles.EXTRACTLON FORCE:
10-35N(1.02-3.57kgf)

| ◎ | Terminal | | 4 | Brass | Ag Plating |
|-----|----------|--------|-----|---------|-------------|
| ◎ | Shell | | 1 | SPCC | Ni Plating |
| ◎ | Base | | 1 | PBT/LCP | White/Black |
| NO. | Name | Number | Qty | Materil | Remarks |

YUANDI® Yuandi Electronics Co, Ltd
元迪

| | | | |
|----------|------|-------|----------------|
| design | date | name | USB CONNECTOR |
| Review | date | model | USB180-03-T1-W |
| Approved | date | | |

Drawing number: Proportion 1:1 unit mm gage number A4

modify Review Approved Tolerance not specified

| | |
|-------|-------|
| angle | ±2' |
| 10~30 | ±0.30 |
| 5~10 | ±0.20 |
| ~ 5 | ±0.10 |