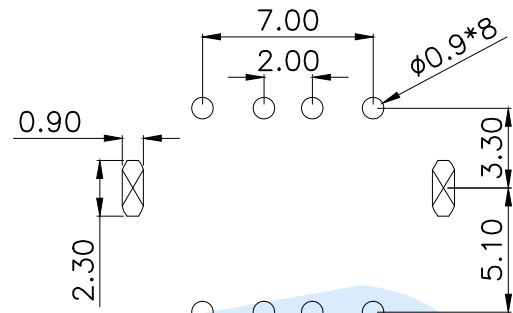
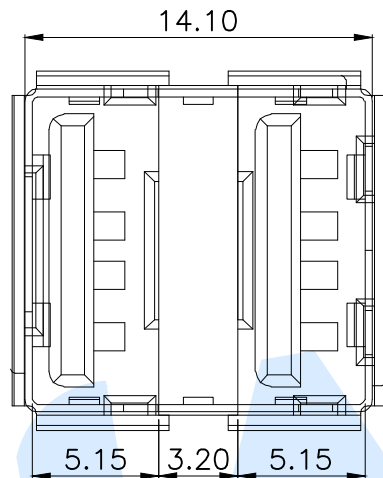
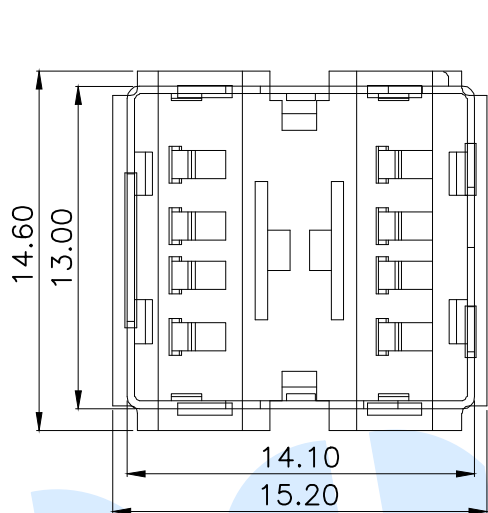


RoHS



P.C.B Layout (Pattern side)

规格说明: Specifications
电气特性: Electrical

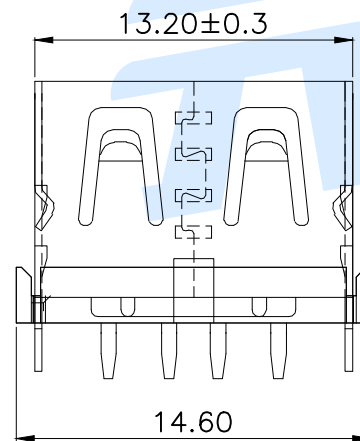
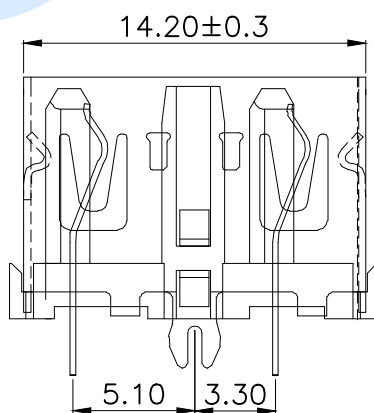
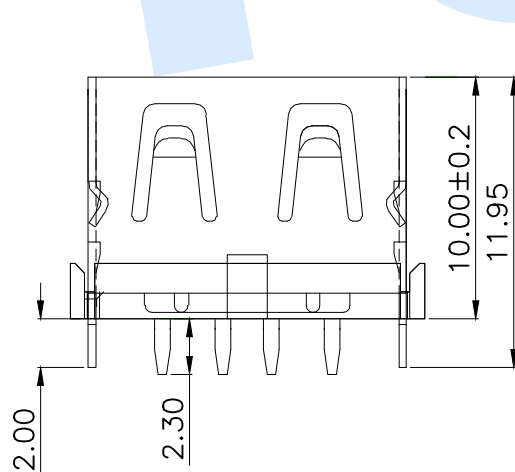
1. 额定电流: Current Rating
1.5A/contact terminal
2. 额定电压: Voltage Rating
30V DC
3. 接触阻抗: Contact Resistance
50 milliohms Max
4. 耐电压: Dielectric Withstanding Voltage
AC 500V/1MINUTE.
5. 绝缘阻抗: Insulation Resistance
1000MEGA Ohms Min

物理性能: Mechanical

1. 插拔力: Connector Mate and Unmate Force
Insertion force: 35N (3.57kgf) MAX
Extraction force: 10-35N (1.02-3.57kgf) Min
- 端子保持力: Terminal Retention
1.0kgf (MIN)

耐久性: Durability

3000cycles. EXTRACTLON FORCE:
10-35N (1.02-3.57kgf)



◎	Terminal		8	Brass	Ag plating
◎	Shell		1	SPCC	Ni Plating
◎	Base		1	PBT	Black
NO.	Name	Number	Qty	Materil	Remarks

YUANDI® Yuandi Electronics Co, Ltd
元迪

design	date	name	USB CONNECTOR
Review	date	model	USB90-51-T1-W
Approved	date		

Drawing number: modify Review Approved Tolerance not specified Proportion 1:1 unit mm gage number A4