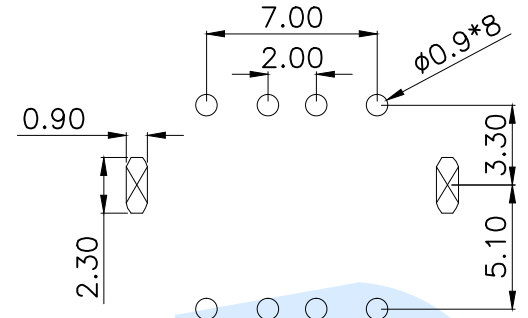
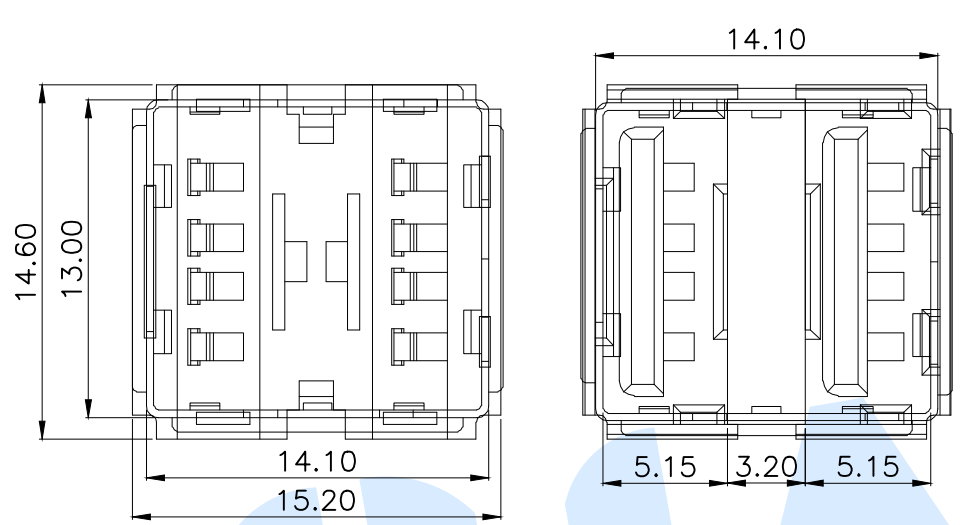


RoHS



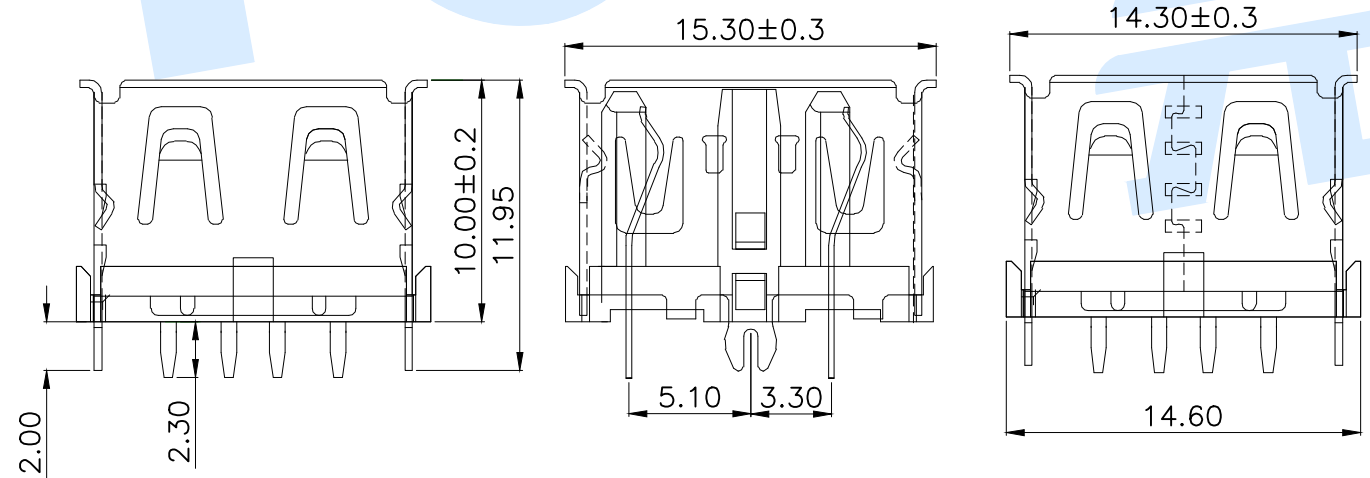
P.C.B Layout (Pattern side)

规格说明: Specifications
电气特性: Electrical

- 1. 额定电流: Current Rating
1.5A/contact terminal
- 2. 额定电压: Voltage Rating
30V DC
- 3. 接触阻抗: Contact Resistance
50 milliohms Max
- 4. 耐电压: Dielectric Withstanding Voltage
AC 500V/1MINUTE.
- 5. 绝缘阻抗: Insulation Resistance
1000MEGA Ohms Min

物理性能: Mechanical

- 1. 插拔力: Connector Mate and Unmate Force
Insertion force: 35N(3.57kgf) MAX
Extraction force: 10-35N(1.02-3.57kgf) Min
- 端子保持力: Terminal Retention
1.0kgf(MIN)
- 耐久性: Durability
3000cycles. EXTRACTLON FORCE:
10-35N(1.02-3.57kgf)



◎	Terminal		8	Brass	Ag plating
◎	Shell		1	SPCC	Ni Plating
◎	Base		1	PBT	Black
NO.	Name	Number	Qty	Materil	Remarks

YUANDI® Yuandi Electronics Co, Ltd
元迪

design	date	name	USB CONNECTOR
Review	date	model	USB90-50-T1-W
Approved	date		

Drawing number: Tolerance not specified Proportion 1:1 unit mm gage number A4

modify Review Approved