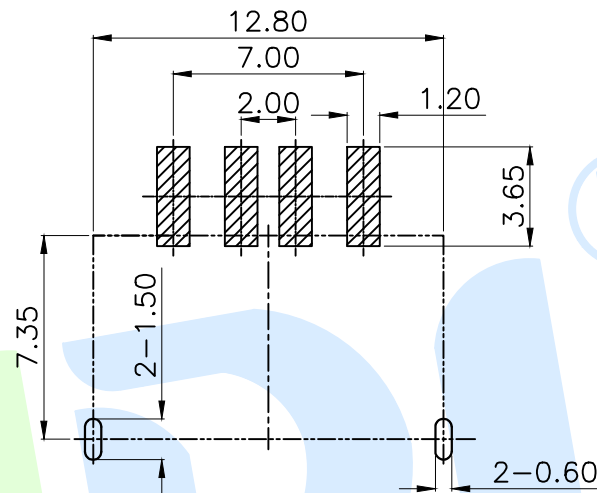
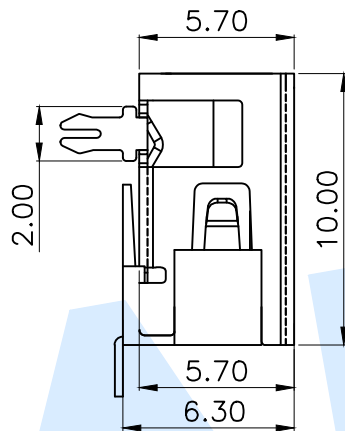
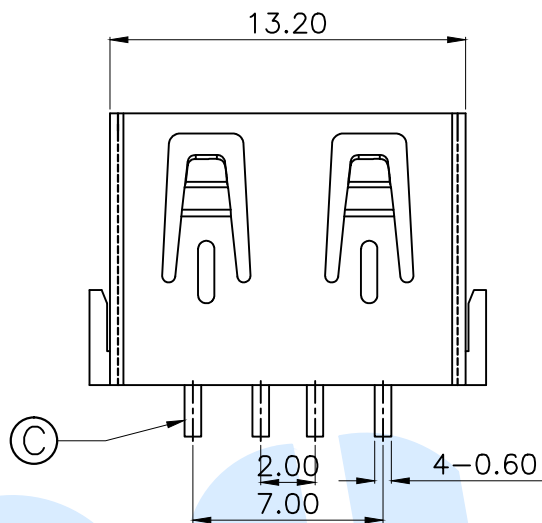


RoHS



Recommended P.C.B Layout

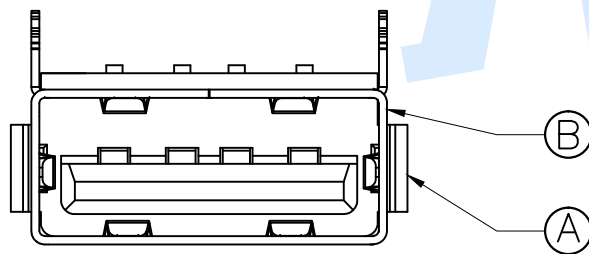
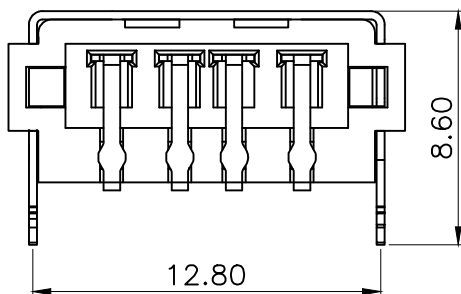
规格说明:Specifications

电气特性:Electrical

- 1.额定电流:Current Rating  
1.5A/contact terminal
- 2.额定电压:Voltage Rating  
30V DC
- 3.接触阻抗>Contact Resistance  
50 milliohms Max
- 4.耐电压:Dielectric Withstanding Voitage  
AC 500V/1MINUTE.
- 5.绝缘阻抗:Insulation Resistance  
1000MEGA Ohms Min

物理性能:Mechanical

- 1.插拔力:Cnnecter Mate and Unmate Force  
Insertion force:35N(3.57kgf)MAX  
Extraction force:10-35N(1.02-3.57kgf)Min
- 端子保持力:Terminal Retenion  
1.0kgf(MIN)
- 耐久性:Durability  
3000cycles.EXTRACTLON FORCE:  
10-35N(1.02-3.57kgf)



Ⓒ	Terminal		4	Brass	Ag Plating
Ⓑ	Shell		1	SPCC	Ni Plating
Ⓐ	Base		1	LCP	Black
NO.	Name	Number	Qty	Materil	Remarks

**YUANDI®** Yuandi Electronics Co, Ltd  
元迪

design	date	name	USB CONNECTOR
Review	date	model	USB90-28-T1
Approved	date		

Drawing number: Proportion 1:1 unit mm gage number A4

modify Review Approved Tolerance not specified

angle	±2'
10~30	±0.30
5~10	±0.20
~ 5	±0.10