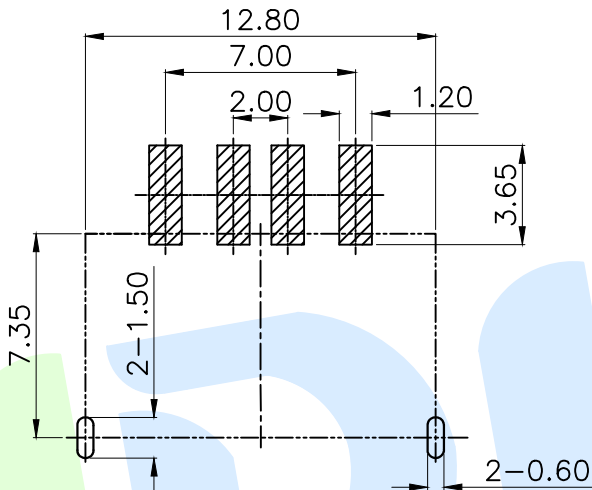
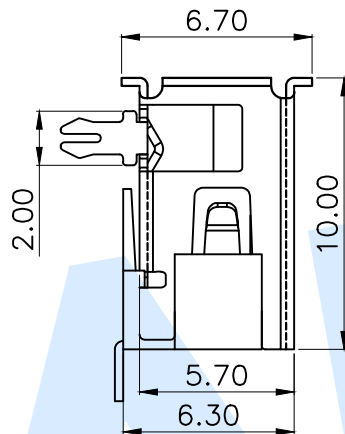
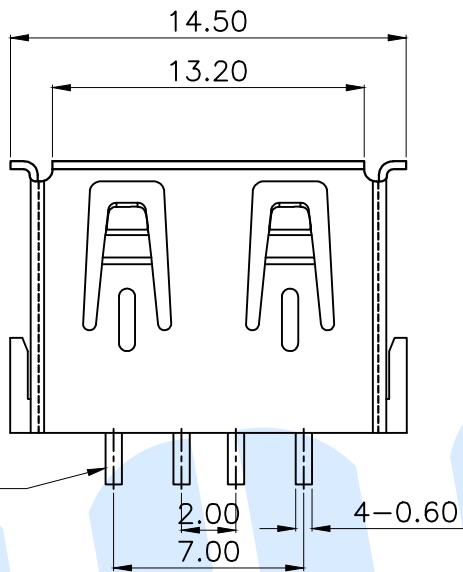


RoHS



Recommended P.C.B Layout

规格说明: Specifications  
电气特性: Electrical

1. 额定电流: Current Rating  
1.5A/contact terminal
2. 额定电压: Voltage Rating  
30V DC
3. 接触阻抗: Contact Resistance  
50 milliohms Max
4. 耐电压: Dielectric Withstanding Voitage  
AC 500V/1MINUTE.
5. 绝缘阻抗: Insulation Resistance  
1000MEGA Ohms Min

物理性能: Mechanical

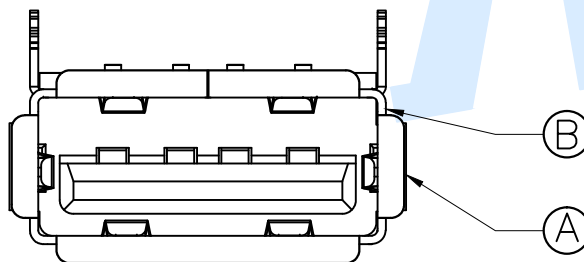
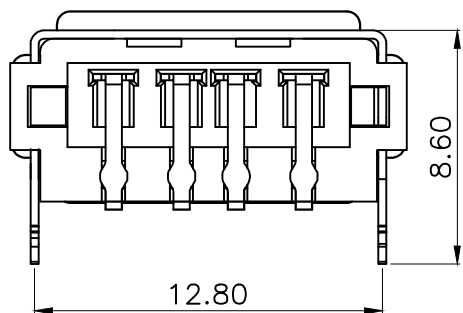
1. 插拔力: Connector Mate and Unmate Force  
Insertion force: 35N(3.57kgf)MAX  
Extraction force: 10-35N(1.02-3.57kgf)Min
- 端子保持力: Terminal Retention  
1.0kgf(MIN)
- 耐久性: Durability  
3000cycles. EXTRACTLON FORCE:  
10-35N(1.02-3.57kgf)

Ⓒ	Terminal		4	Brass	Ag Plating
Ⓑ	Shell		1	SPCC	Ni Plating
Ⓐ	Base		1	LCP	Black
NO.	Name	Number	Qty	Materil	Remarks

**YUANDI®** Yuandi Electronics Co, Ltd  
元典

design	date	name	USB CONNECTOR
Review	date	model	USB90-27-T1
Approved	date		

Drawing number: Proportion 1:1 unit mm gage number A4



modify Review Approved

angle	±2'
10~30	±0.30
5~10	±0.20
~ 5	±0.10

Tolerance not specified