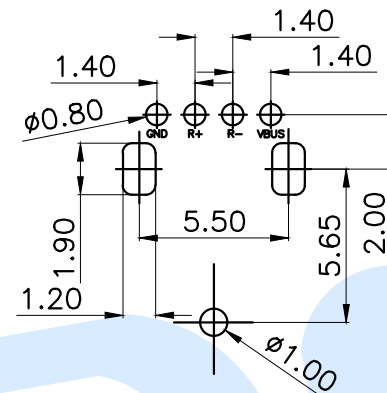
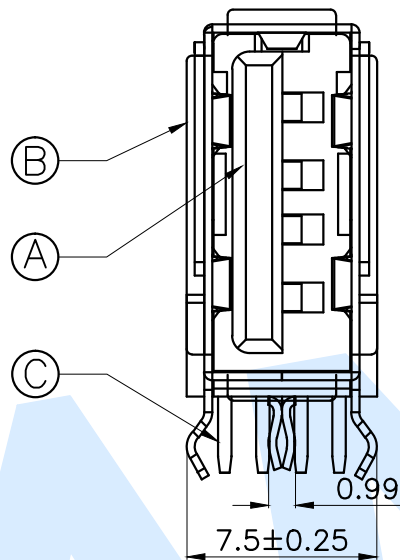
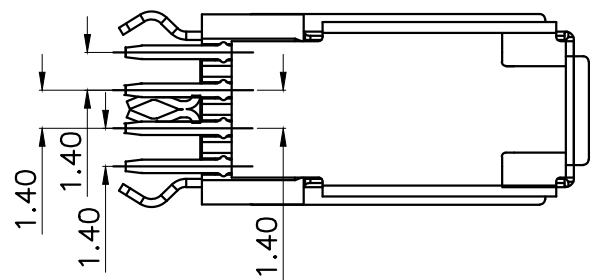


RoHS



P.C.B Layout(Pattern side)

规格说明:Specifications

电气特性:Electrical

1.额定电流:Current Rating

1.5A/contact terminal

2.额定电压:Voltage Rating

30V DC

3.接触阻抗>Contact Resistance

50 milliohms Max

4.耐电压:Dielectric Withstanding Voltage

AC 500V/1MINUTE.

5.绝缘阻抗:Insulation Resistance

1000MEGA Ohms Min

物理性能:Mechanical

1.插拔力:Connector Mate and Unmate Force

Insertion force:35N(3.57kgf)MAX

Extraction force:10-35N(1.02-3.57kgf)Min

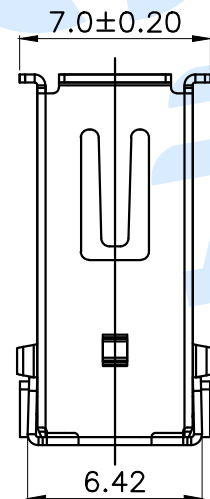
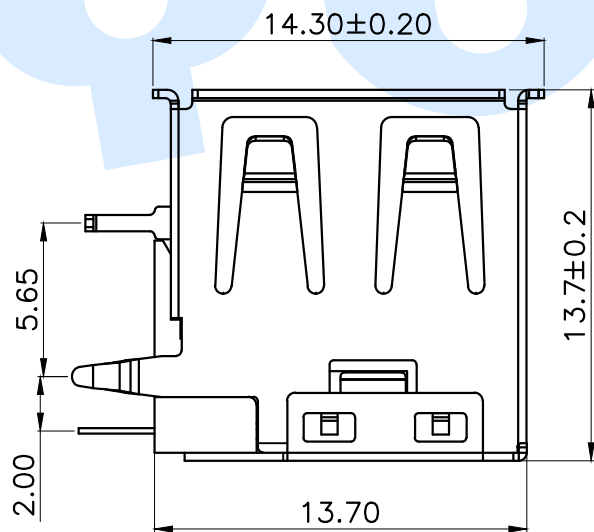
端子保持力:Terminal Retention

1.0kgf(MIN)

耐久性:Durability

3000cycles.EXTRACTLON FORCE:

10-35N(1.02-3.57kgf)



◎	Terminal		4	Brass	Silvering
◎	Shell		1	SPCC	Ni Plating
◎	Base		1	PBT	White
NO.	Name	Number	Qty	Materil	Remarks

YUANDI® Yuandi Electronics Co, Ltd

design	date	name	USB CONNECTOR
Review	date	model	USB90-07-T1-W
Approved	date		

Drawing number: Proportion 1:1 unit mm gage number A4

modify Review Approved Tolerance not specified

angle	±2'
10~30	±0.30
5~10	±0.20
~ 5	±0.10